

GRABER® | DELIGHT IN EVERY DETAIL



Graber Vertical Blinds English/US Price Guide

VERTICAL BLINDS

Product Information Guide

Features

Vertical Blinds: Vane Styles and Information	3
Sheer Vertical Blinds: Styles, Fabric Content, Light Control, Light Control Levels	4
Oeko-Tex® Standard 100 Certified Fabrics	4
NFPA 701	4
Vertical Blinds: Vane Features	5

Size Considerations

Vertical Blinds, Depth Requirements for Inside Mount	6
Sheer Vertical Blinds, Depth Requirements for Inside Mount	6

Options

Summary	7
Vertical Blinds: Control Options	8
Sheer Vertical Blinds: Control Options	8
Vertical Blinds: Headrail Systems	9
Vertical Blinds and Sheer Vertical Blinds: Stacking Options	10
Vertical Blinds and Sheer Vertical Blinds: Installation Types	10
Vertical Blinds: Cut-Out Blinds	11
Vertical Blinds: Bottom Chain	11
Vertical Blinds: Stay Clear™ Channel Panel for Fabric Vanes	12
Vertical Blinds and Sheer Vertical Blinds: Paired Blinds	12
Vertical Blinds and Sheer Vertical Blinds: Vane Replacement Ordering	12
Sheer Vertical Blinds: Hem Style	12
Vertical Blinds: Square-Corner Valance	13
Vertical Blinds and Sheer Vertical Blinds: Round-Corner	13
Vertical Blinds and Sheer Vertical Blinds: Double Round-Corner Valances	13
Sheer Vertical Blinds: Dauphine® Valance	13
Vertical Blinds and Sheer Vertical Blinds: Bay and Corner Windows	14
Vertical Blinds: Specialty Shapes: Angled Window Headrail	15

PLEASE NOTE:

Photos and illustrations are for inspiration only.
 Not all product configurations are available in all countries.
 Window blind cords are a strangulation hazard for young children.
 Consult your dealer or store associate for cordless products, or products with inaccessible cords. Remove this product immediately if a cord longer than 22 cm, or a loop exceeding 44 cm, becomes accessible.

GRABER.

NOVEMBER 2023

(11/23) 23-484600

Table of Contents

General Information

Vertical Blinds and Sheer Vertical Blinds: Installation Hardware	16
Vertical Blinds and Sheer Vertical Blinds: Number of Mounting Brackets	16
Vertical Blinds and Sheer Vertical Blinds: Clear Opening: How to Measure for Uncovered Window	17
Vertical Blinds: Vane Stacking Chart: G-71 Super-Vue® 3½"	17
Vertical Blinds: Vane Stacking Chart: G-98 Ultra-Vue™ 3½"	18
Vertical Blinds: Vane Stacking Chart: G-85 Dura-Vue® 3½"	18
Vertical Blinds: Vane Stacking Chart: One Touch® Control	19
Sheer Vertical Blinds: Vane Stacking Chart: Outside Mount	20
Sheer Vertical Blinds: Vane Stacking Chart: Inside Mount	20
Sheer Vertical Blinds: Vane Color Coordination Chart	21
G-71 Super-Vue Product Detail	22
G-98 Ultra-Vue Product Detail	23
G-85 Dura-Vue Product Detail	24
Sheer Vertical Blinds: G-71 Super-Vue Product Detail	25

Features

- Choose from a variety of fabric, crown vinyl, or S-shaped vinyl vanes
- S-shaped vanes feature a rolling drapery look
- Fabric vanes can be free hanging or inserted into channel panel for more light control and privacy
- Many vinyl styles coordinate with Graber® 2" Horizontal Vinyl Blinds
- Several fabric styles coordinate with Graber FashionPleat®, EvenPleat®, or LightWeaves® Shades

Vertical Blinds: Vane Styles and Information

Collection Name	Material Content	Light Control	Vane Style	Street Side Appearance	Coordinates
Fabric					
Allure	Fabric	Light filtering/room darkening	FH or INS		LightWeaves Roller
Baskerville	Fabric	Light filtering/transparent	FH or INS		
Brighton FR	Fabric	Light filtering	FH or INS		FashionPleat and EvenPleat
Compass ^o	Fabric	Room darkening	FH		
Crossweave ^o	Fabric	Light filtering	FH or INS		LightWeaves Roller, FashionPleat, and EvenPleat
Devon	Fabric	Light filtering	FH or INS		
Grasses	Fabric	Light filtering	FH or INS		
Harmony ^o	Fabric	Light filtering/transparent	FH or INS		LightWeaves Roller
Network	Fabric	Light filtering	FH or INS		
Prescott ^o	Fabric	Room darkening	FH		
Royale ^o	Fabric	Light filtering/transparent	FH or INS		LightWeaves Roller
Sheffield ^o	Fabric	Light filtering/transparent	FH or INS		LightWeaves Roller
Strings	Fabric	Transparent	FH		
Tahiti Weave	Fabric	Light filtering	FH or INS		
Thatch	Fabric	Light filtering	FH or INS		
Tuvalu ^o	Fabric	Light filtering/transparent	FH or INS		EvenPleat
Urban Loft ^o	Fabric	Light filtering/transparent	FH or INS		
S-Shaped Vinyl					
Georgetown S	100% vinyl	Room darkening	S-shaped	Neutral	2" horizontal vinyl
Homespun II S	100% vinyl	Room darkening	S-shaped	Neutral	
Linen S	100% vinyl	Room darkening	S-shaped	Neutral	2" horizontal vinyl
Quantum S	100% vinyl	Room darkening	S-shaped	Neutral	
Crown Vinyl					
Acropolis	100% vinyl	Room darkening	Crown	Neutral	
Cachet	100% vinyl	Room darkening	Crown	Neutral	2" horizontal vinyl
Channel Panel	100% vinyl	Room darkening	Crown	Same front and back	
Chenille	100% vinyl	Room darkening	Crown	Neutral	
Coronation	100% vinyl	Room darkening	Crown	Neutral	2" horizontal vinyl
Crown	100% vinyl	Room darkening	Crown	Neutral	2" horizontal vinyl
Fiber	100% vinyl	Room darkening	Crown	Neutral	2" horizontal vinyl
Grotto	100% vinyl	Room darkening	Crown	Same front and back	
Homespun II	100% vinyl	Room darkening	Crown	Neutral	2" horizontal vinyl
Kensington	100% vinyl	Room darkening	Crown	Neutral	2" horizontal vinyl
Lake Forest [®]	100% vinyl	Room darkening	Crown	Same front and back	Lake Forest Faux Wood Blinds
Parallels	100% vinyl	Room darkening	Crown	Neutral	
Quantum	100% vinyl	Room darkening	Crown	Neutral	2" horizontal vinyl
Rapture	100% vinyl	Room darkening	Crown	Neutral	2" horizontal vinyl
Safari	100% vinyl	Room darkening	Crown	Neutral	2" horizontal vinyl
Satin Stripe	100% vinyl	Room darkening	Crown	Neutral	
Stowe	100% vinyl	Room darkening	Crown	Neutral	
Window Weaves	100% vinyl	Room darkening	Crown	Neutral	

^oOeko-Tex® fabric
FR = Flame resistant NFPA 701

FH = Free hanging fabric
INS = Fabric inserted into channel panel

Features

Sheer vertical blinds combine the soft look of sheer fabric draperies and the light control benefits of vinyl vertical blinds. When the vanes are open, softly diffused light streams into the room through sheer fabric for minimal privacy and light control; when closed, light is blocked from entering the room to provide maximum privacy and light control. Not only for patio doors, sheer vertical blinds also look beautiful on wider or uniquely shaped windows. Plus, sheer vertical fabrics are easily removed and machine washable.

- Fabric easily installed and removed—no need to take down entire blind
- Easily replace original fabric with different style or color when décor changes
- Fabric is machine washable
- Color coordinated thread for a finished appearance
- Heavy-duty aluminum headrail with steel pantograph system ensures smooth operation and proportional spacing of vanes
- Available as both inside and outside mount
- Stems are removable for easy replacement in the home

Sheer Vertical Blinds: Styles, Fabric Content, and Light Control

Collection Name	Material Content	Light Control	Vane Style	Street Side Appearance	Coordinates
Bengali	100% polyester	Sheer/room darkening	FH	Neutral	Graber® Artisan
Cascade	100% polyester	Sheer/room darkening	FH	Neutral	Graber Artisan
Dijon	100% polyester	Sheer/room darkening	FH	Neutral	
Gossamer	100% polyester	Sheer/room darkening	FH	Neutral	Graber Artisan
Highlight	100% polyester	Sheer/room darkening	FH	Neutral	Graber Artisan

Light Control Levels

Light Filtering: Light is filtered to varying degrees depending on fabric style and color; silhouettes of objects and people are visible through the blind.

Room Darkening: Light is substantially blocked; vague shadows of objects or people may be visible; maximum room darkening is achieved with darker colors.

Sheer: Allows light to enter the room where light control and privacy are not a concern. Objects in the room can be seen quite clearly through open blinds.

Oeko-Tex® Standard 100 Certified Fabrics

Oeko-Tex Standard 100 certifies that our fabrics are free of PVC, halogen, lead, formaldehyde, allergenic dyes, pesticides, phenols, heavy metals, and meet all VOC content limits.

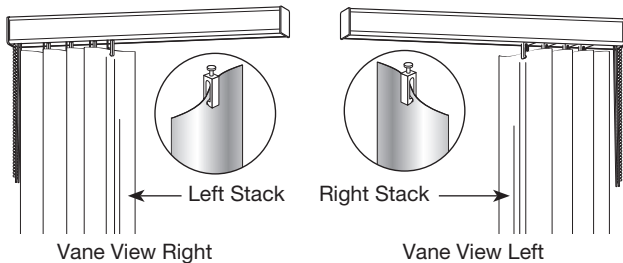
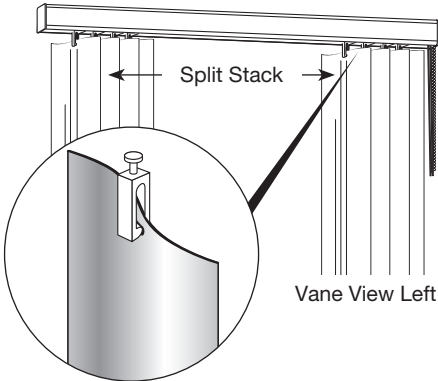
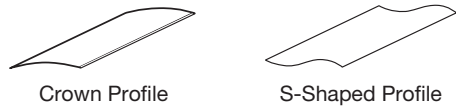


NFPA 701

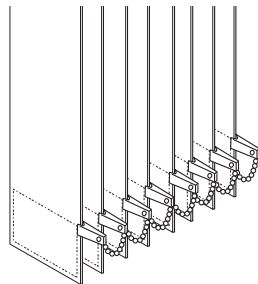
NFPA 701 Flame resistance test is the standard method of fire tests for flame propagation of textiles and films by the National Fire Protection Agency.

Features

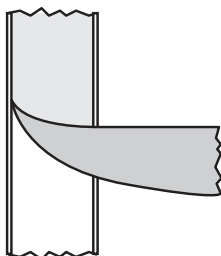
Vertical Blinds: Vane Features



Vane View: Side the color or texture is facing when vanes are rotated open so you can see through the vanes to the street.



Free Hanging Fabric with Optional Bottom Chain and Clips



Vane Material Inserted in Channel Panel

Vinyl Styles

- All vinyl vanes offer value, durability, easy cleaning, and superior light control
- Choose from embossed crown, smooth crown, or S-shaped embossed vinyl vanes
- Embossed textures offered in solids or prints with the look of jacquard or linen fabrics, wood, or stucco
- Coordinating 2" horizontal vinyl blinds available for many styles; for pricing on 2" horizontal vinyl blinds, see the Graber® 2" horizontal vinyl product information guide

Vinyl Crown Vanes

- Traditional curved vanes

Vinyl S-Shaped Vanes

- Provide a more drapery like look to your vertical blinds
- Provide better closure for more light control and privacy
- Valances are made with crown PVC of the same texture and color; dye lot cannot be guaranteed
- S-shaped vanes are NOT reversible; vane view shows which side the color/texture is facing when vanes are rotated open so you can see out the window
 - Right stack and split stack—left
 - Left stack—right
- You may choose a vane view other than the recommended if you are concerned about which side of the vane you will see when blinds are rotated open
- For paired, bay and corner blinds, the same vane view is recommended for all blinds

NOTE: See illustrations on how S-shaped vanes will hang.

Fabric Vanes

- Designer fabric vane styles range from sheer to room darkening in a variety of weaves and materials
- Free-hanging vanes come with sewn-in bottom weights and optional chain and clips
- For increased privacy and room darkening, fabric vanes can be inserted into channel panels; the clear edge channels hold fabric securely and will not yellow over time; the opaque vinyl vanes provide additional privacy and light control; see price charts for replacement pricing
- Coordinating Graber pleated, Roman, solar, and roller shade fabric and Graber sliding panels are available for selected styles
- Available in 3½" fabric styles

Additional Information

- Due to the nature of vane materials (both fabric and vinyl prints), colors may vary slightly from dye lot to dye lot; exact matches cannot be guaranteed
- Due to the random design of some vane patterns, exact alignment of the pattern across the blind is not possible

Size Considerations

Vertical Blinds



	Width			Height	
	Minimum Single Stack (inches)	Minimum Split Stack (inches)	Maximum (inches)	Minimum (inches)	Maximum (inches)
G-71 Super-Vue®	9	12	191	12	192
G-98 Ultra-Vue™	9	17	191	12	192
G-85 Dura-Vue®	9	12	178¾	12	144
One Touch®	9	N/A	144	12	104

Factory Deductions

Mount	Mount Bracket Location	Valance	Height Deduction G-71 (inches)	Height Deduction G-98 (inches)	Height Deduction G-85 (inches)
Outside	All types	Yes/no	0	0	0
Inside	Ceiling or top	No	¾	½	½
Inside	Ceiling or top	Yes	¾	¾	½
Inside	Wall or back	No	1⅛	¾	¾
Inside	Wall or back	Yes	1½	1½	1½

Mount	Width Deductions (inches)
Outside	0
Inside	¼

Depth Requirements for Inside Mount



	Headrail Dimensions (inches)	 Minimum Depth Mount (inches)	Headrail Flush with Casing (vanes and/or valance not flush with casing) (inches)	Depth Needed for Flush Mount Vane (inches)	 Depth Needed for Flush Mount Valance (inches)
G-71 Super-Vue	1¾ x 1⅝	2¾	3	3¾	4¾
G-98 Ultra-Vue	1½ x 1¾	2¾	2⅞	3¾	4¾
G-85 Dura-Vue	1⅝ x 1½	2¾	2¾	3¾	4¾

Sheer Vertical Blinds

	Width		Height	
	Minimum (inches)	Maximum (inches)	Minimum (inches)	Maximum (inches)
Sheer Vertical Blinds	17	191	19	104

	Width		Height	
	Minimum (inches)	Maximum (inches)	Minimum (inches)	Maximum (inches)
One Touch	17	144	19	104

Depth Requirements for Inside Mount

 Minimum Depth Partially Recessed Mount (inches)	Depth Needed for Flush Mount Headrail (inches)	Depth Needed for Flush Mount Vane (inches)	 Depth Needed for Flush Mount Valance (inches)
2¾	3	5¼	6

Partially Recessed: A partially recessed window treatment is where the depth of the window casing is less than the space necessary for a flush mount.

Flush Mount: If the window casing is deep enough to mount the entire blind inside of it, this is called a flush mount.

Options

Summary

The following is a list of options for vertical and sheer vertical blinds. All options are available in all styles and colors. Limitations will be based on fabric width. See detailed descriptions on the following pages.

Vertical Blinds

Control Type Options—No Charge

- Cord and chain controls
- One Touch® Control (standard)

Options—No Charge

- Bay and corner windows
- Paired blinds
- Projection bracket: 4 $\frac{3}{8}$ "

Options—Surcharge (see price charts for pricing and/or surcharges)

- Bottom chain and clips (fabric)
- Bottom chain (vinyl)
- Cut-outs
- Round-corner valance
- Double round-corner valance
- Square-corner valance
- Stay Clear™ channel panels
- Wood cornices and valances (see cornices and valances product information guide)

Specialty Options (see price charts for pricing and/or surcharges)

- Angled top

Sheer Vertical Blinds

Control Type Options—No Charge

- Standard cord and chain controls
- One Touch® Control (optional)

Options—No Charge

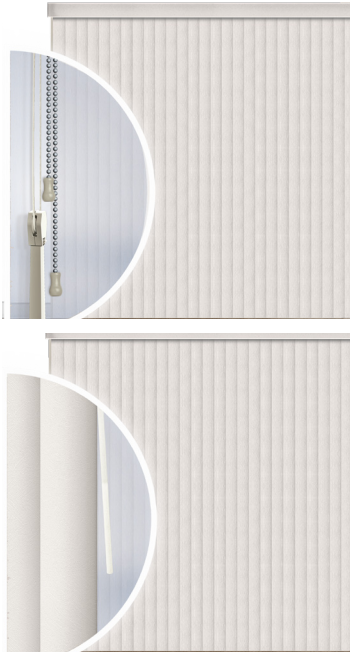
- Bay and corner windows
- Dauphine® valance
- Paired blinds

Options—Surcharge (see price charts for pricing and/or surcharges)

- Round-corner valance
- Double round-corner valance
- Wood cornices and valances (see cornices and valances product information guide)

Options

Vertical Blinds: Control Options



Cord and Chain

- No charge
- Cord controls vane traverse
- Chain controls vane rotation

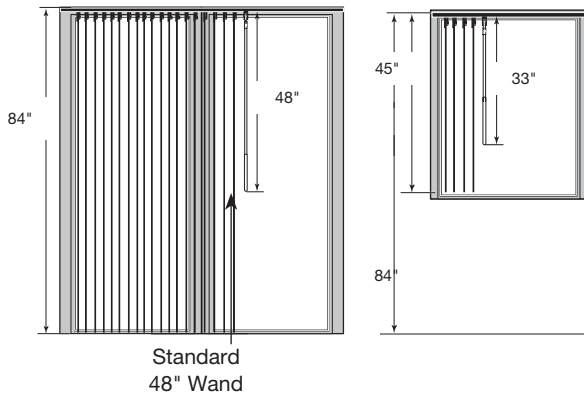
One Touch® Wand Control – Standard

- No charge
- A slender wand controls vane rotation and traversing
- Simple, convenient, safe (no cords and chains)
- Recommended for homes with children or pets
- Available with single stack only; no split stack or opposite stack
- Wand is always attached to leading vane

Width		Height	
Minimum (inches)	Maximum (inches)	Minimum (inches)	Maximum (inches)
9	144	12*	104

Wand Sizes

Keep in mind that the wand length is determined by the finished blind height. If the vertical blind covers a patio door or the bottom of the vertical blind reaches the floor, the following chart indicates wand length. If the headrail distance from the floor is greater than 77" or there is any furniture in front of the blind, specify a 48" or 60" wand for easy accessibility.



Blind Height (inches)	Wand Height (inches)
77 or less*	33
77½ to 92	48
92½ to 96	60

*If blind is less than 35", wand will be longer than vanes. The standard cord and chain control is recommended.

Sheer Vertical Blinds: Control Options



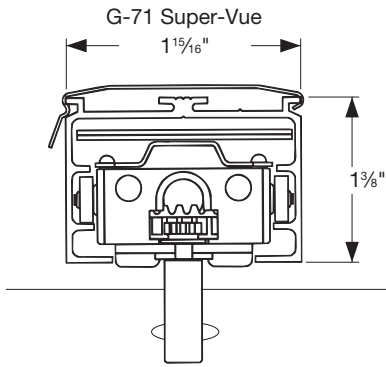
Cord and Chain

- No charge
- Cord controls vane traverse
- Chain controls vane rotation

One Touch® Wand Control

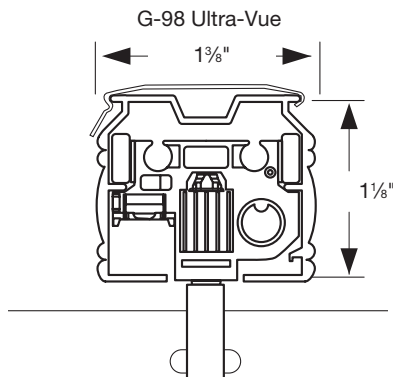
Options

Vertical Blinds: Headrail Systems



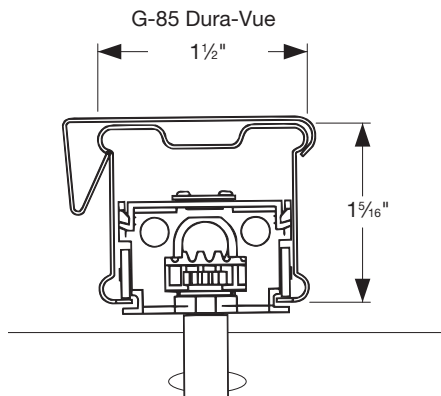
G-71 Super-Vue®

The top-of-the-line G-71 Super-Vue features the patented pantograph traversing system to assure proportional spacing of vanes when closed. G-71 Super-Vue is available in a smooth, anodized aluminum channel. Ball bearing pulleys in the control mechanism and thermoplastic self-lubricating wheels on every carriage allow for smooth traversing vanes. Clear stems provide a sleek appearance with both fabrics and vinyl vanes. E-Z Open™, available only on the G-71 headrail, automatically rotates the vanes when the cord is pulled to traverse the blind.



G-98 Ultra-Vue™

The anodized aluminum G-98 Ultra-Vue headrail system traverses vanes smoothly through the consecutive action of stainless steel pick-up tails. Ultra-Vue carriers are wheeled for smooth traversing and are self-aligning.



G-85 Dura-Vue®

G-85 Dura-Vue headrails traverse vanes smoothly with a thermoplastic strap system. Dura-Vue steel headrail is offered in an ivory painted finish. Dura-Vue carriers are wheeled for smooth traversing.

The design of all Graber® headrails allows for reversible installation, providing versatile placement of controls on either the left or right.

Options

Vertical Blinds and Sheer Vertical Blinds: Stacking Options



Split Stack
Left Controls
(right controls available)



Left Stack
Same Side Stack
and Controls



Right Stack
Same Side Stack and
Controls



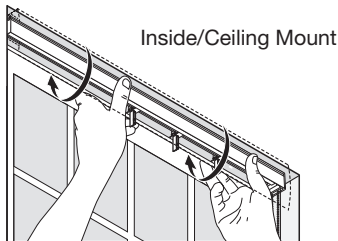
Opposite Stack
and Controls

VERTICALS ONLY: There is a surcharge for center/uneven stack and opposite stack.

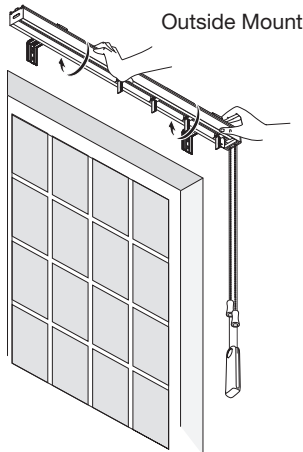
Center/uneven stack available on G-71 Super-Vue® headrails for blinds with vanes only.

NOTE: Split Stack not available for Sheer Wand Draw.

Vertical Blinds and Sheer Vertical Blinds: Installation Types

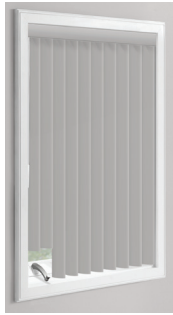


1. Inside Mount—Ceiling or Top of Window Frame (standard)
Manufacturing height deduction is taken for blinds being installed as inside, ceiling mount with or without a valance.
2. Inside Mount—Wall or Back of Window Frame
Manufacturing height deduction is taken for blinds being installed as inside mount using the L-bracket for a wall mount. An additional manufacturing height deduction is taken if a valance is included, to accommodate the height of the Dauphine® valance bracket.
3. Outside Mount—Wall or Back (standard)
No manufacturing height deduction is taken.
4. Outside Mount—Ceiling or Top (optional)
No manufacturing height deduction is taken.

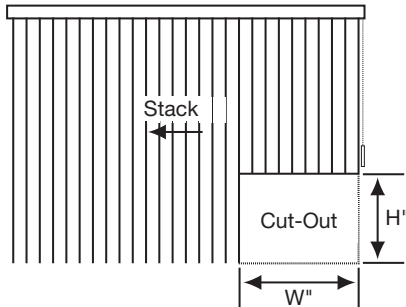


Options

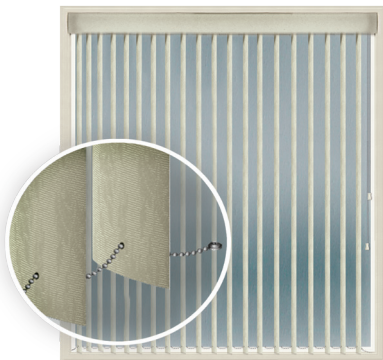
Vertical Blinds: Cut-Out Blinds



- **For surcharges, see price charts**
- Order when air conditioner, heating register, or other object would interfere with vanes
- Blind must stack away from cut-out area
- Specify size and base price by maximum width and height of blind
- Submit drawing to identify size and location of cut-out (see example)
- Minimum cut-out width 3½"
- Cut-out must be a full vane width (3½"); therefore may be wider than ordered
- Not available with bottom chain



Vertical Blinds: Bottom Chain



- **For surcharges, see price charts**
- Optional, must be requested at time of order
- Not available with channel panel, S-shaped vanes, angle top, or cut-out blinds

Bottom Chain
Vinyl Vanes
(Must be requested at time of order.)

Vane Style	Standard/Option	Description
Fabric	Standard	3-sided sewn-in weight
	Option	Single nickel-plated chain at back of vanes with clips
Vinyl	Standard	No bottom chain
	Option	Single nickel-plated chain in the middle of the vanes
Channel Panel	Standard	No bottom weights or chain

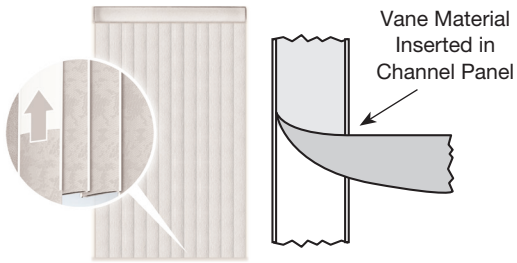


Back Side
of Vanes
Shown

Bottom Chain and Clip
Fabric Vanes
(Free hang only.)

Options

Vertical Blinds: Stay Clear™ Channel Panel for Fabric Vanes



- **See price charts for surcharges**
- For replacement channel panel pricing, see price charts
- Vane material inserted into extruded channel panel with clear edges; see blind features for fabric styles available
- Offers improved privacy, room darkening, and a neutral color appearance from exterior of window
- Channel panel colors are: Ivory (#7137) or White (#7136)
- Not available with bottom chain

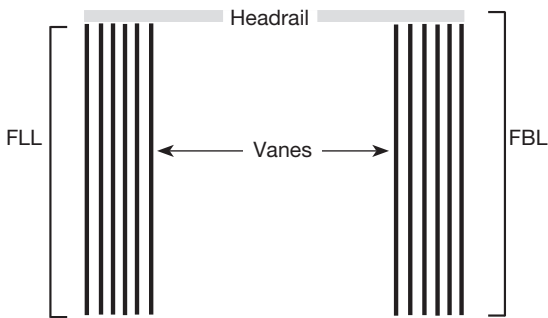
Vertical Blinds and Sheer Vertical Blinds: Paired Blinds



- **Price as two separate blinds**
- The appearance of a split stack blind can be achieved by pairing blinds; the center opening point can be either on center or off center
- Paired blinds can also be used when the required width is larger than the maximum width available for a single blind
- Specify paired blinds on your order
- Control locations must be same as stack
- Recommend ordered as left/left and right/right
- Square-corner valance with dust cover only
- **Available with one-way cord and chain only**

Vertical Blinds and Sheer Vertical Blinds: Replacement Vane Ordering

See the column at the far right of each price chart, for individual vane pricing based on material desired.



How to Price a Replacement Vane

- Use the price charts for individual vane pricing
- Determine which chart based on material desired
- Locate height of your vane on the left side of the chart
- Use the price in the "Replmt Vanes" column in the price charts that coincides with the height of vane desired

How to Measure a Replacement Existing Vane, No Changes

- Measure the vane(s) from tip to tip to determine the exact finished vane length/height (FLL)
- No additional deductions will be taken by manufacturing; vanes will be manufactured to the exact size you provide
- Submit the measurement as exact height

How to Measure a Replacement Existing Vane, Changing the Height of the Vanes

- Measure from top of mounted headrail to bottom of location to be covered
- Record this measurement; this is the finished blind length/height (FBL)
- Manufacturing will take appropriate deduction so vanes will cover desired area

NOTE: Free hang fabric vanes include bottom weights.

Bottom chains for vinyl vanes are optional; must be specified at time of order

Sheer Vertical Blinds: Hem Style



- 4" drapery hem is standard

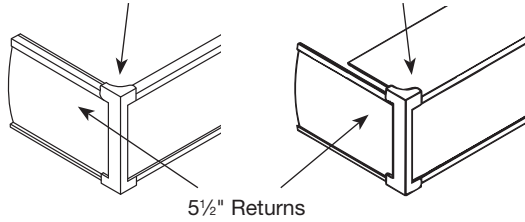
Options

Vertical Blinds: Square-Corner Valance



Square-Corner Valance without Dust Cover

Square-Corner Valance with Dust Cover



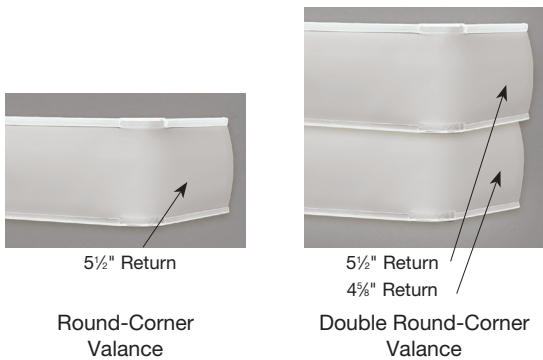
5 1/2" Returns

- For surcharge, see price charts
- The square-corner valance is an extruded vinyl, Stay-Clear™ channel panel, which is sized to hold 3 1/2" wide vane material; it includes two 5 1/2" returns
- Valances greater than 192" must have a dust cover
- Vinyl valance inserts are not available over 191" wide

Maximum Valance Size Limitations

	Valance		Returns	
	Maximum Vinyl (inches)	Maximum Fabric (inches)	Minimum (inches)	Maximum (inches)
Square-Corner Valance	191	191	3	8

Vertical Blinds and Sheer Vertical Blinds: Round-Corner and Double Round-Corner Valances



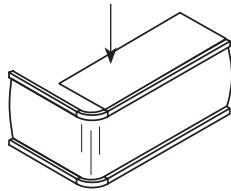
5 1/2" Return

Round-Corner Valance

5 1/2" Return
4 3/4" Return

Double Round-Corner Valance

Round-Corner Valance with Dust Cover



Outside Mount Only

- For surcharge, see price charts
- The round-corner valance system features the Stay-Clear channel panel and is guaranteed not to yellow; accommodates vinyl and fabric vanes as inserts; S-shaped style vanes use matching crown profile for valance insert
- Create a layered look with a double round-corner valance
- Round and double round-corner valances include 5 1/2" returns
- Single round-corner valance: 3 3/4" high
- Double round-corner valance: 6 1/2" high

Maximum Valance Size Limitations

	Valance		Returns	
	Maximum Vinyl (inches)	Maximum Fabric (inches)	Minimum (inches)	Maximum (inches)
Round-Corner Valance	171	191	3	8
Double Round-Corner Valance	171	191	3	8

Sheer Vertical Blinds: Dauphine® Valance



4 1/2"

- No charge
- Fabric is Shirred for a soft look
- Snap-in brackets for easy installation
- Threader cap provides no-sag Shirring of sheer fabric
- Notched for minimum 2 1/2" returns and will extend to 7 1/2" using the additional return slides which are included

NOTE: Top hem of blind will be visible below the Dauphine valance.

Also available are wood cornices and valances; see cornice and valance product information guide for more information.

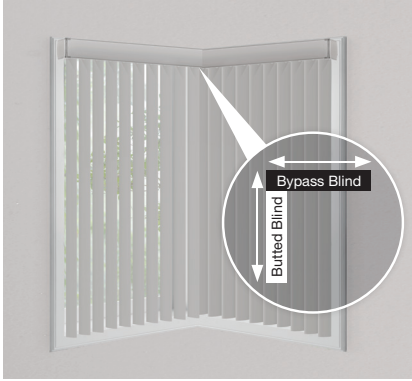
Options

Vertical Blinds and Sheer Vertical Blinds: Bay and Corner Windows

- No charge
- Minimal corner gaps
- Square-corner valance with dust cover only
- Chain and cord only
- Each blind is controlled separately

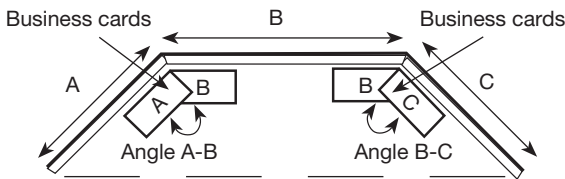
- List each track width and height on separate lines
- Price as separate blinds
- If no deductions are required, do not order as bay or corner
- Sheer verticals—Dauphine® valance only

Measuring Information



Corner Window

Measure: Width of each window from corner to the point you would like to cover.

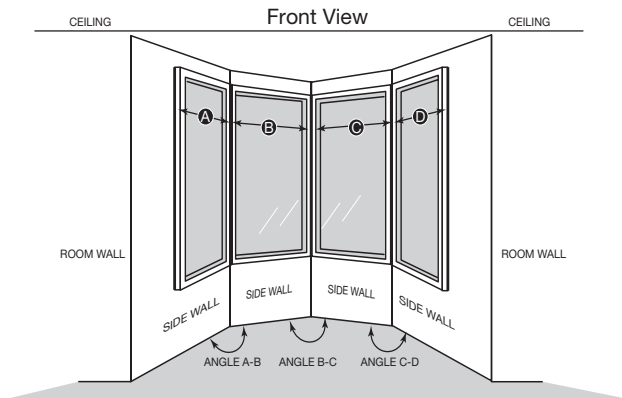


Three-Sided Bay Window

Measure:

- A and C: Width of side windows from the corners to the point you would like the blind to cover.
- B: Width of the center window from corner to corner.
- Angle A-B: Angle between windows (A) and (B).
- Angle B-C: Angle between windows (B) and (C).

Measure bay angle using protractor or angle finder. Or use two business cards in bay corner as illustrated and fax to customer service.

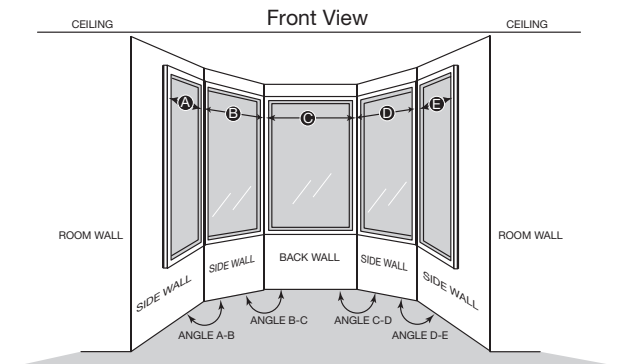


Four-Sided Bay Window

Measure:

- A and D: Width of side windows from the corners to the point you would like the blind to cover.
- B and C: Width of each window from corner to corner.
- Angle A-B: Angle between windows (A) and (B).
- Angle B-C: Angle between windows (B) and (C).
- Angle C-D: Angle between windows (C) and (D).

Measure bay angle using protractor or angle finder. Or use two business cards in bay corner as illustrated and fax to customer service.



Five-Sided Bay Window

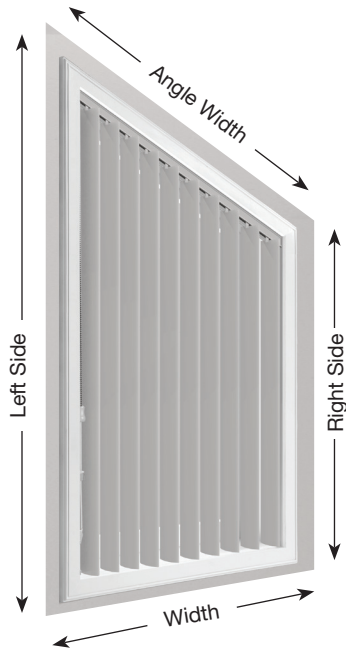
Measure:

- A and E: Width of side windows from the corners to the point you would like the blind to cover.
- B, C, and D: Width of each center window from corner to corner.
- Angle A-B: Angle between windows (A) and (B).
- Angle B-C: Angle between windows (B) and (C).
- Angle C-D: Angle between windows (C) and (D).
- Angle D-E: Angle between windows (D) and (E).

Measure bay angle using protractor or angle finder. Or use two business cards as illustrated and fax to customer service.

Options

Vertical Blinds: Specialty Shapes: Angled Window Headrail



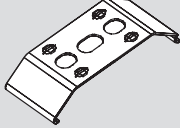
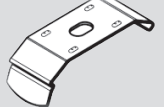

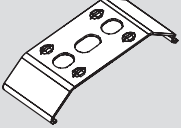
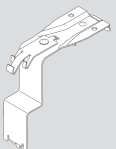
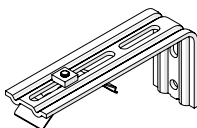
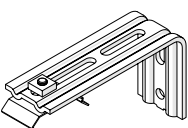
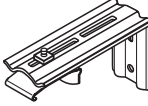
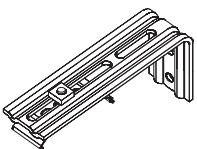
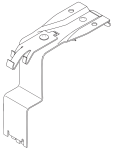
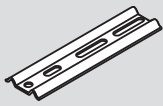
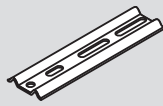
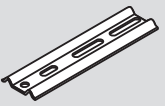
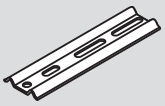
- **For surcharges, see price charts**
- Ideal for sloping, cathedral-type windows
- Only available in single stack cord control vertical blinds
- Exact dimensions must accompany orders to ensure proper fit
- Steepest slope possible is 55°
- One Touch Wand available without traverse, blinds tilt only. Control must be on lower side
- Maximum size: 144" wide x 144" long, depending on angle
- Minimum low end is 6"
- Available on G71 Super-Vue® headrail only
- Square-corner valance with dust cover only; must be mitered at time of installation
- Bottom chains are not available

Measuring Outside Mount

1. Measure exact width and height of area to be covered. It is recommended that shades overlap window frame or opening by 1½" on each side.
2. Measure height of opening on left side and mark this dimension "left". Allow for overlap as desired: 1½" on top and bottom is recommended.
3. Measure height of opening on right side and mark this dimension "right". Allow for the same overlap as left side.
4. Factory will determine the angle from these three dimensions.

General Information

Vertical Blinds and Sheer Vertical Blinds: Installation Hardware

	G-71	G-98	G-85	Sheer Vertical Blinds	
Track Clip for Inside or Ceiling Mount					Dauphine® Valance Bracket 
L-Bracket for Outside or Wall Mount					Dauphine Valance Bracket 
Optional Flat Projection Bracket <small>(NOTE: Attaches to angle bracket with nut/bolt pairs. Must be requested at time of order.)</small>					

Vertical Blinds and Sheer Vertical Blinds: Number of Mounting Brackets

Sheer Vertical Blinds: Number of headrail and Dauphine valance mounting brackets

Blind Width (inches)	17 to 54	54 ¹ / ₁₆ to 81	81 ¹ / ₁₆ to 108	108 ¹ / ₁₆ to 135	135 ¹ / ₁₆ to 162	162 ¹ / ₁₆ to 191
Number of Brackets	2	3	4	5	6	7

G-98 Headrail

Blind Width (inches)	9 to 50	50 to 90	91 to 130	131 to 170	171 to 191
Number of Brackets	2	3	4	5	6

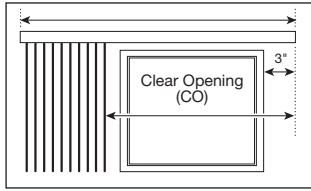
G-71 and G-85 Headrail

Blind Width (inches)	9 to 62	63 to 98	99 to 134	135 to 170	171 to 191
Number of Brackets	2	3	4	5	6

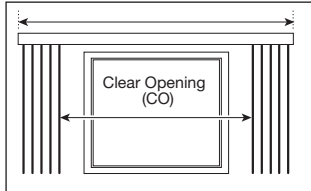
General Information

Vertical Blinds and Sheer Vertical Blinds: Clear Opening: How to Measure for Uncovered Window

Stack Left Finished Blind Width (FBW)



Split Stack
(recommended for
balanced appearance)
Finished Blind Width (FBW)



1. Determine headrail type and the clear opening width for split stack, stack right or stack left (see diagrams)—the additional 3" shown for privacy is recommended if ordering a right or left stack.
2. Match the clear opening width with dimension found under "CO" column below. For even spacing, round up width measurement to the next size in the stack chart. Split stack will have even number of vanes.
3. Order the corresponding dimension found in the "FBW" (finished blind width) column below.

EXAMPLE: Stack Left

If determined width for clear opening window view is 54¼", order width needed to provide full unobstructed view is 66¾".

NOTE: For stack right or stack left blinds add an additional 3" to the clear opening before calculating the finished blind width.

For G-98 Ultra-Vue™ and G-85 Dura-Vue® headrails, and One Touch® Control, see appropriate stacking charts for single stack blinds only on the following pages.

Vertical Blinds: Vane Stacking Chart: G-71 Super-Vue® 3½"

Number of Vanes	Single Stack		Split Stack	
	CO (inches)	FBW (inches)	CO (inches)	FBW (inches)
3	6⅞	10⅞		
4	9½	13¼	7¼	12½
5	12⅞	16⅞		
6	14⅞	19⅞	12½	18¾
7	17½	22¼		
8	20⅞	25⅞	17⅞	25⅞
9	22¾	29		
10	25⅞	32⅞	23¼	31⅞
11	28⅞	35⅞		
12	30¾	38½	28½	37¾
13	33⅞	41⅞		
14	36⅞	44¾	33¾	44
15	38¾	47⅞		
16	41⅞	51	39⅞	50¼
17	44	54¼		
18	46⅞	57⅞	44½	56⅞
19	49⅞	60½		
20	52	63⅞	49¾	62⅞
21	54⅞	66¾		
22	57⅞	70	55	69⅞
23	60	73⅞		
24	62⅞	76¼	60⅞	75½
25	65¼	79⅞		
26	67⅞	82½	65¾	81¾
27	70⅞	85¼		
28	73¼	88⅞	71	88
29	75⅞	92		
30	78⅞	95⅞	76¼	94⅞
31	81¼	98¼		
32	83⅞	101⅞	81½	100⅞

Number of Vanes	Single Stack		Split Stack	
	CO (inches)	FBW (inches)	CO (inches)	FBW (inches)
33	86½	104⅞		
34	89⅞	107¾	86⅞	107
35	91¼	110⅞		
36	94½	114	92⅞	113¼
37	97⅞	117⅞		
38	99¾	120⅞	97⅞	119½
39	102⅞	123½		
40	105⅞	126⅞	102¾	125⅞
41	107¾	129¾		
42	110⅞	132⅞	108⅞	132⅞
43	113	136		
44	115¾	139¼	113⅞	138⅞
45	118⅞	142⅞		
46	121	145½	118⅞	144¼
47	123⅞	148⅞		
48	126⅞	151¼	124	151
49	129	155		
50	131⅞	158⅞	129¼	157¼
51	134¼	161¼		
52	137	164⅞	134⅞	163⅞
53	139⅞	167½		
54	142¼	170⅞	139⅞	169⅞
55	144⅞	173⅞		
56	147⅞	177	145¼	176¼
57	150¼	180⅞		
58	152⅞	183¼	150½	182½
59	155½	186⅞		
60	158¼	189⅞	155⅞	188¼
61	159⅞	191		
62			157	191

FBW = Finished Blind Width

CO = Clear Opening

Stack = FBW - CO

For even spacing on outside mounts, round up width measurement to the next size in the stack chart. Split stack blinds must have an even number of vanes.

General Information

**Vertical Blinds: Vane Stacking Chart:
G-98 Ultra-Vue™ 3½"**

Number of Vanes	Single Stack		Split Stack	
	CO (inches)	FBW (inches)	CO (inches)	FBW (inches)
3	7¼	10¼		
4	10	13¾	8½	13½
5	12⅝	16½		
6	15½	19 ⅝	14	19¾
7	18⅝	22¾		
8	21⅞	25⅞	19½	26
9	23 ⅞	29		
10	26¾	32¾	25⅝	32¼
11	29⅞	35⅞		
12	32¼	38¼	30⅞	38⅞
13	35	41⅞		
14	37¾	44⅞	36¼	44⅞
15	40½	47⅞		
16	43⅞	50¾	41¼	50⅞
17	46⅞	53⅞		
18	48⅞	57	47⅞	57⅞
19	51⅞	60		
20	54¾	63⅞	52⅞	63¼
21	57¼	66¼		
22	60	69⅞	58⅞	69½
23	62¾	72½		
24	65½	75⅞	64	75¾
25	68¼	78¾		
26	71⅞	80⅞	69½	82
27	73⅞	85		
28	76⅞	88	75	88⅞
29	79⅞	91⅞		
30	82¼	94¼	80⅞	94⅞
31	85	97⅞		
32	87¾	100½	86⅞	100⅞
33	90½	103⅞		
34	93¼	106¾	91¼	106⅞
35	96⅞	109⅞		
36	98¾	112⅞	97¼	113
37	101⅞	116		
38	104¾	119⅞	102⅞	119¼
39	107⅞	122¼		
40	109¾	125⅞	108⅞	125½
41	112¼	128½		
42	115½	131 ⅝	113⅞	131¼
43	118¼	134¾		
44	121⅞	137⅞	119½	138
45	123¾	140⅞		
46	126⅞	144	125	144⅞
47	129⅞	147⅞		
48	132⅞	150¼	130⅞	150⅞
49	134⅞	153⅞		
50	137⅞	156½	136⅞	156⅞
51	140½	159⅞		
52	143¼	162¾	141¼	162⅞
53	146	165¾		
54	148¾	168⅞	147¼	169
55	151⅞	172		
56	154⅞	175⅞	152¾	175¼
57	157⅞	178¼		
58	159⅞	181⅞	158¼	181½
59	162⅞	184½		
60	165⅞	187⅞	163⅞	187¾
61	168⅞	190⅞		
62	168⅞	191	166½	191

**Vertical Blinds: Vane Stacking Chart:
G-85 Dura-Vue® 3½"**

Number of Vanes	Single Stack		Split Stack	
	CO (inches)	FBW (inches)	CO (inches)	FBW (inches)
3	6⅞	10⅞		
4	9½	13¼	7¼	12½
5	12⅞	16⅞		
6	14¾	19½	12½	18¾
7	17⅞	22⅞		
8	20	25¾	17¾	25
9	22¾	28⅞		
10	25⅞	32	23	31¼
11	28	35 ⅞		
12	30⅞	38 ¼	28⅞	37½
13	33¼	41⅞		
14	35⅞	44½	33⅞	43¾
15	38½	47⅞		
16	41⅞	50 ¾	38⅞	50
17	43¾	53⅞		
18	46⅞	57	44⅞	56¼
19	49	60⅞		
20	51⅞	63¼	49⅞	62½
21	54⅞	66⅞		
22	57	69½	54⅞	68¾
23	59⅞	72⅞		
24	62¼	75¾	60	75
25	64⅞	78⅞		
26	67½	82	65¼	81¼
27	70⅞	85⅞		
28	72¾	88¼	70½	87½
29	75⅞	91⅞		
30	78	94½	75¾	93¾
31	80⅞	97⅞		
32	83¼	100¾	81	100
33	85⅞	103⅞		
34	88½	107	86¼	106 ¼
35	91⅞	110⅞		
36	93⅞	113¼	91½	112½
37	96½	116⅞		
38	99⅞	119½	96¾	118¾
39	101¾	122⅞		
40	104⅞	125¾	102	125
41	107	128⅞		
42	109⅞	132	107⅞	131¼
43	112¼	135⅞		
44	114⅞	138¼	112⅞	137½
45	117⅞	141⅞		
46	120⅞	144½	117⅞	143¾
47	122¾	147⅞		
48	125½	150¾	123⅞	150
49	128⅞	153⅞		
50	130¾	157	128⅞	156¼
51	133⅞	160⅞		
52	136	163¼	133⅞	162½
53	138⅞	166⅞		
54	141¼	169½	139	168¾
55	143⅞	172⅞		
56	146½	175¾	144¼	175
57	149⅞	178⅞		
58	151¾	182	149½	181¼
59	154⅞	185⅞		
60	157	188¼	154¾	187½
61	159⅞	191		
62			157¼	191

FBW = Finished Blind Width

CO = Clear Opening

Stack = FBW – CO

18 | graberdirect.com

November 2023

General Information

Vertical Blinds: Vane Stacking Chart: One Touch® Control (all headrail styles)

G-71 Super-Vue®				
Number of Vanes	Single Stack		Split Stack	
	CO (inches)	FBW (inches)	CO (inches)	FBW (inches)
3	6½	9¼		
4	8¾	12⅝	6¼	12
5	11½	16		
6	14½	19¼	11½	18¾
7	16¾	22¾		
8	19¾	25½	16¾	24¾
9	22	28¾		
10	24¾	31¼	22¼	31
11	27¾	35		
12	30	38¾	27½	37¼
13	32¾	41¼		
14	35¼	44¾	32¼	43½
15	37¾	47½		
16	40½	50¾	38¾	49¾
17	43¾	53¾		
18	46	57	43¾	56¾
19	48¾	60¾		
20	51¼	63¼	48¾	62¾
21	53¾	66¾		
22	56¾	69¾	54	68¾
23	59¾	73¾		
24	62¼	76¼	59¾	75
25	64¾	79¾		
26	67½	82½	64¾	81¾
27	70¼	85¼		
28	72¾	88¾	70	87¾
29	75½	92		
30	78¾	95¾	75¼	93¾
31	80¾	98¼		
32	83¾	101¾	80¾	100¼
33	86¾	104¾		
34	88¾	107¾	85¾	106½
35	91¾	110¾		
36	94	114	91¾	112¾
37	96¾	117¾		
38	99¾	120¾	96½	119¾
39	102	123½		
40	104¾	126¾	101¼	125¾
41	107¾	129¼		
42	110	132¾	107	131¾
43	112¾	136		
44	115¾	139¼	112½	138
45	118	142¾		
46	120¾	145½	117¾	144¼
47	123¼	148¾		
48	125¾	151¼	123¾	150¾
49	128¾	155		
50	129¾	156	127½	156

G-98 Ultra-Vue™				
Number of Vanes	Single Stack		Split Stack	
	CO (inches)	FBW (inches)	CO (inches)	FBW (inches)
3	6	9¾		
4	8¾	12¾	6¾	12½
5	11½	15¾		
6	14¾	19	11¾	18¾
7	17¾	22½		
8	20	25¼	17½	24¾
9	22¾	28¾		
10	25½	31½	23¾	30¾
11	28¼	34½		
12	31	37¾	28½	37
13	33¾	40¼		
14	36¾	43¾	34¼	43¼
15	39¾	47		
16	42¾	50¾	39¾	49½
17	45	53¼		
18	47¾	56¾	45¼	55¼
19	50¾	59¾		
20	53¼	62½	50¾	61¾
21	56	65¾		
22	58¾	68¾	56¾	68¾
23	61¾	71¾		
24	64¾	75	61¾	74¾
25	67¾	78¾		
26	70	81¼	67½	80¾
27	72¾	84¼		
28	75¾	87¾	72¾	86¾
29	78¼	90½		
30	81	93¾	78½	93
31	83¾	96¼		
32	86½	99¾	84¼	99¼
33	89¾	103		
34	92¾	106¾	89¾	105½
35	94¾	109¾		
36	97¾	112¼	95¼	111¾
37	100¾	115¾		
38	103¾	118½	100¾	117¾
39	106	121¾		
40	108¾	124¾	106¼	124¾
41	111½	127¾		
42	114¾	131	111¾	130¾
43	117¾	134¾		
44	119¾	137¾	117½	136¾
45	123	140¾		
46	125¾	143¾	122¾	142¾
47	128½	146¾		
48	131¾	150	128½	149
49	134¾	153¾		
50	136¾	156	134¾	155¼
51				
52			134¾	156

G-85 Dura-Vue®				
Number of Vanes	Single Stack		Split Stack	
	CO (inches)	FBW (inches)	CO (inches)	FBW (inches)
3	6¼	10¾		
4	8¾	13¼	6¾	12½
5	11½	16¾		
6	14¾	19½	12	18¾
7	16¾	22¾		
8	19¾	25¼	17¼	24¾
9	22	28¾		
10	24¾	32	22¾	30¾
11	27¾	35¾		
12	30	38¾	27¾	37¾
13	32¾	41¾		
14	35¼	44½	33¾	43¾
15	37¾	47¾		
16	40½	50¾	38¾	49¾
17	43¾	53¾		
18	45¾	57	43¾	55¾
19	48¾	60¾		
20	51	63¼	48¾	62¾
21	53¾	66¾		
22	56¼	69½	54¼	68¾
23	59¼	72¾		
24	61¾	75¼	59½	74¾
25	64½	78¾		
26	67¾	82	64¾	80¾
27	69¾	85¾		
28	72¾	88¼	70	87¾
29	75	91¾		
30	77¾	94½	75¼	93¾
31	80¼	97¾		
32	82¾	100¾	80½	99¾
33	85½	103¾		
34	88¾	107	85¼	105¾
35	90¾	110¾		
36	93¾	113¼	91	112¾
37	96¾	116¾		
38	98¾	119½	96¼	118¾
39	101¾	122¾		
40	104	125¼	101¾	124¾
41	106¾	128¾		
42	109¼	132	106¾	130¾
43	111¾	135¾		
44	114½	138¼	112¾	137¾
45	117¾	141¾		
46	119¾	144½	117¾	143¾
47	122¾	147¾		
48	125	150¼	122¾	149¾
49	127¾	153¾		
50	129¾	156	127¾	155¾
51				
52			127¾	156

Split stack One Touch Control not available.
 FBW = Finished Blind Width
 CO = Clear Opening
 Stack = FBW – CO

General Information

Sheer Vertical Blinds: Vane Stacking Chart: Outside Mount

Number of Vanes	Single Stack		Split Stack	
	CO (inches)	FBW (inches)	CO (inches)	FBW (inches)
5				
6	14 $\frac{1}{8}$	19 $\frac{1}{8}$	11 $\frac{1}{8}$	17
7	17 $\frac{1}{2}$	22 $\frac{3}{4}$		
8	20 $\frac{1}{8}$	25 $\frac{1}{8}$	16 3/8	23 $\frac{1}{4}$
9	22 $\frac{3}{4}$	29		
10	25 $\frac{3}{8}$	32 $\frac{1}{8}$	21 $\frac{1}{4}$	29 $\frac{1}{8}$
11	28 1/8	35 $\frac{1}{8}$		
12	30 $\frac{3}{4}$	38 $\frac{1}{2}$	27	35 $\frac{1}{8}$
13	33 $\frac{3}{8}$	41 $\frac{1}{8}$		
14	36 $\frac{1}{8}$	44 $\frac{3}{4}$	32 $\frac{3}{8}$	42 $\frac{1}{8}$
15	38 $\frac{3}{4}$	47 $\frac{1}{8}$		
16	41 $\frac{1}{8}$	51	37 $\frac{3}{4}$	48 $\frac{1}{2}$
17	44	54 $\frac{1}{4}$		
18	46 $\frac{1}{8}$	57 3/8	43	54 $\frac{3}{4}$
19	49 $\frac{1}{8}$	60 $\frac{1}{2}$		
20	52	63 $\frac{3}{8}$	48 $\frac{1}{4}$	61
21	54 $\frac{1}{8}$	66 $\frac{3}{4}$		
22	57 $\frac{1}{8}$	70	53 $\frac{1}{8}$	67 $\frac{1}{8}$
23	60	73 $\frac{1}{8}$		
24	62 $\frac{1}{8}$	76 $\frac{1}{4}$	58 $\frac{1}{8}$	73 $\frac{1}{8}$
25	65 $\frac{1}{4}$	79 $\frac{1}{8}$		
26	67 $\frac{1}{8}$	82 $\frac{1}{2}$	64 $\frac{1}{4}$	80
27	70 $\frac{1}{8}$	85 $\frac{3}{4}$		
28	73 $\frac{1}{4}$	88 $\frac{1}{8}$	69 $\frac{1}{2}$	86 $\frac{1}{4}$
29	75 $\frac{1}{8}$	92		
30	78 $\frac{1}{8}$	95 1/8	74 $\frac{1}{8}$	92 $\frac{1}{2}$
31	81 $\frac{1}{4}$	98 $\frac{1}{4}$		
32	83 $\frac{1}{8}$	101 $\frac{1}{8}$	80 $\frac{1}{4}$	98 7/8
33	86 $\frac{1}{2}$	104 $\frac{1}{8}$		
34	89 $\frac{1}{8}$	107 $\frac{3}{4}$	85 $\frac{1}{2}$	105 $\frac{1}{8}$
35	91 $\frac{3}{8}$	110 $\frac{1}{8}$		
36	94 $\frac{1}{2}$	114	90 $\frac{3}{4}$	111 $\frac{1}{8}$
37	97 $\frac{1}{8}$	117 $\frac{1}{8}$		
38	99 $\frac{3}{4}$	120 $\frac{1}{8}$	96 $\frac{1}{8}$	117 $\frac{3}{4}$
39	102 $\frac{1}{8}$	123 $\frac{1}{2}$		
40	105 $\frac{1}{8}$	126 $\frac{1}{8}$	101 $\frac{1}{8}$	124
41	107 $\frac{1}{4}$	129 $\frac{1}{4}$		
42	110 $\frac{1}{8}$	132 $\frac{1}{8}$	106 $\frac{1}{8}$	130 $\frac{1}{4}$
43	113	136		
44	115 $\frac{1}{4}$	139 $\frac{1}{4}$	112	136 $\frac{1}{8}$
45	118 $\frac{1}{8}$	142 $\frac{3}{8}$		
46	121	145 $\frac{1}{2}$	117 $\frac{1}{8}$	142 $\frac{1}{8}$
47	123 $\frac{1}{8}$	148 $\frac{1}{8}$		
48	126 $\frac{1}{8}$	151 $\frac{1}{4}$	122 $\frac{3}{4}$	149 $\frac{1}{4}$
49	129	155		
50	131 $\frac{1}{8}$	158 $\frac{1}{8}$	128	155 $\frac{1}{2}$
51	134 $\frac{1}{4}$	161 $\frac{1}{4}$		
52	137	164 $\frac{1}{8}$	133 $\frac{1}{4}$	161 $\frac{1}{8}$
53	139 $\frac{1}{8}$	167 $\frac{1}{2}$		
54	142 $\frac{1}{4}$	170 $\frac{1}{8}$	138 $\frac{1}{8}$	168 $\frac{1}{8}$
55	144 $\frac{1}{8}$	173 $\frac{1}{8}$		
56	147 $\frac{1}{8}$	177	143 $\frac{1}{8}$	174 $\frac{1}{8}$
57	150 $\frac{1}{4}$	180 $\frac{1}{8}$		
58	152 $\frac{1}{8}$	183 $\frac{3}{4}$	149 $\frac{1}{8}$	180 $\frac{1}{8}$
59	155 $\frac{1}{2}$	186 $\frac{1}{8}$		
60	158 $\frac{1}{4}$	189 $\frac{1}{8}$	154 $\frac{1}{2}$	187
61	159 $\frac{1}{8}$	191		
62			157 $\frac{1}{8}$	191

Sheer Vertical Blinds: Vane Stacking Chart: Inside Mount

Number of Vanes	Single Stack		Split Stack	
	CO (inches)	FBW (inches)	CO (inches)	FBW (inches)
5				
6				
7	10 $\frac{1}{8}$	19 $\frac{1}{4}$		
8	13 $\frac{1}{4}$	22 $\frac{1}{8}$	11 $\frac{1}{8}$	19 $\frac{1}{4}$
9	15 $\frac{1}{8}$	25 $\frac{1}{2}$		
10	18 $\frac{1}{2}$	28 $\frac{1}{8}$	16 $\frac{1}{8}$	26
11	21 $\frac{1}{4}$	31 $\frac{1}{8}$		
12	24	35	21 $\frac{1}{4}$	32 $\frac{1}{8}$
13	26 $\frac{1}{8}$	38 $\frac{1}{8}$		
14	29 $\frac{1}{4}$	41 $\frac{1}{4}$	27	38 $\frac{1}{8}$
15	31 $\frac{1}{8}$	44 $\frac{1}{8}$		
16	34 $\frac{1}{8}$	47 $\frac{1}{8}$	32 $\frac{1}{4}$	44 $\frac{1}{8}$
17	37 $\frac{1}{4}$	50 $\frac{3}{4}$		
18	39 $\frac{1}{8}$	53 $\frac{1}{8}$	37 $\frac{1}{4}$	51 $\frac{1}{4}$
19	42 $\frac{1}{2}$	57		
20	45 $\frac{1}{8}$	60 $\frac{1}{8}$	43	57 $\frac{1}{2}$
21	47 $\frac{3}{4}$	63 $\frac{1}{4}$		
22	50 $\frac{1}{2}$	66 $\frac{1}{2}$	48 $\frac{1}{4}$	63 $\frac{1}{4}$
23	53 $\frac{1}{8}$	69 $\frac{1}{8}$		
24	55 $\frac{1}{8}$	72 $\frac{1}{8}$	53 $\frac{1}{8}$	70 $\frac{1}{8}$
25	58 $\frac{1}{2}$	76		
26	61 $\frac{1}{8}$	79 $\frac{1}{8}$	59	76 $\frac{1}{2}$
27	63 $\frac{1}{8}$	82 $\frac{1}{4}$		
28	66 $\frac{1}{8}$	85 $\frac{1}{2}$	64 $\frac{1}{4}$	82 $\frac{1}{4}$
29	69 $\frac{1}{4}$	88 $\frac{1}{8}$		
30	71 $\frac{1}{8}$	91 $\frac{1}{4}$	69 $\frac{1}{8}$	89 $\frac{1}{8}$
31	74 $\frac{1}{2}$	94 $\frac{1}{8}$		
32	77 $\frac{1}{8}$	98	74 $\frac{1}{8}$	95 $\frac{1}{8}$
33	80 $\frac{1}{4}$	101 $\frac{1}{8}$		
34	82 $\frac{1}{8}$	104 $\frac{1}{4}$	80 $\frac{1}{4}$	102 $\frac{1}{8}$
35	85 $\frac{1}{2}$	107 $\frac{1}{8}$		
36	88 $\frac{1}{4}$	111 $\frac{1}{8}$	86	108 $\frac{1}{8}$
37	90 $\frac{1}{8}$	114 $\frac{1}{4}$		
38	93 $\frac{1}{2}$	117 $\frac{3}{8}$	91 $\frac{1}{8}$	114 $\frac{1}{4}$
39	96 $\frac{1}{8}$	120 $\frac{1}{2}$		
40	98 $\frac{3}{4}$	123 $\frac{3}{8}$	96 $\frac{1}{8}$	121
41	101 $\frac{1}{2}$	126 $\frac{1}{8}$		
42	104 $\frac{1}{8}$	130	101 $\frac{1}{2}$	127 $\frac{1}{4}$
43	106 $\frac{1}{8}$	133 $\frac{1}{8}$		
44	109 $\frac{1}{2}$	136 $\frac{1}{4}$	106 $\frac{1}{8}$	133 $\frac{1}{8}$
45	112 $\frac{1}{8}$	139 $\frac{1}{8}$		
46	114 $\frac{1}{4}$	142 $\frac{1}{2}$	112 $\frac{1}{8}$	139 $\frac{1}{8}$
47	117 $\frac{1}{2}$	145 $\frac{1}{4}$		
48	120 $\frac{1}{8}$	148 $\frac{1}{8}$	117 $\frac{1}{2}$	146 $\frac{1}{4}$
49	122 $\frac{1}{4}$	152		
50	125 $\frac{1}{8}$	155 $\frac{1}{8}$	122 $\frac{1}{4}$	152 $\frac{1}{2}$
51	128 $\frac{1}{8}$	158 $\frac{1}{8}$		
52	130 $\frac{1}{4}$	161 $\frac{1}{2}$	128	158 $\frac{1}{4}$
53	133 $\frac{1}{2}$	164 $\frac{1}{4}$		
54	136 $\frac{1}{8}$	167 $\frac{1}{8}$	133 $\frac{1}{8}$	165 $\frac{1}{8}$
55	138 $\frac{3}{4}$	171		
56	141 $\frac{1}{8}$	174 $\frac{1}{8}$	138 $\frac{1}{8}$	171 $\frac{1}{8}$
57	144	177 $\frac{1}{4}$		
58	146 $\frac{1}{8}$	180 $\frac{1}{2}$	144	177 $\frac{1}{8}$
59	149 $\frac{1}{2}$	183 $\frac{1}{8}$		
60	152 $\frac{1}{8}$	186 $\frac{1}{4}$	149 $\frac{1}{8}$	184
61	154 $\frac{1}{4}$	189 $\frac{1}{8}$		
62	155 $\frac{1}{8}$	191	154 $\frac{1}{8}$	190 $\frac{1}{4}$
64			154 $\frac{1}{8}$	191

Sheer One Touch®: Vane Stacking Chart: Outside Mount

Number of Vanes	Single Stack	
	CO (inches)	FBW (inches)
5	11 $\frac{1}{8}$	16 $\frac{1}{8}$
6	13 $\frac{3}{4}$	19 $\frac{1}{4}$
7	16 $\frac{1}{2}$	22 $\frac{3}{8}$
8	19 $\frac{1}{8}$	25 $\frac{1}{2}$
9	21 $\frac{1}{4}$	28 $\frac{1}{8}$
10	24 $\frac{1}{8}$	31 $\frac{1}{8}$
11	27	35
12	29 $\frac{1}{8}$	38 $\frac{1}{8}$
13	32 $\frac{1}{8}$	41 $\frac{1}{4}$
14	35	44 $\frac{3}{8}$
15	37 $\frac{1}{8}$	47 $\frac{1}{2}$
16	40 $\frac{1}{8}$	50 $\frac{1}{4}$
17	43	53 $\frac{1}{8}$
18	45 $\frac{1}{8}$	57
19	48 $\frac{1}{4}$	60 $\frac{1}{8}$
20	50 $\frac{1}{8}$	63 $\frac{1}{4}$
21	53 $\frac{1}{8}$	66 $\frac{1}{2}$
22	56 $\frac{1}{4}$	69 $\frac{1}{8}$
23	58 $\frac{1}{8}$	72 $\frac{1}{2}$
24	61 $\frac{1}{4}$	75 $\frac{1}{8}$
25	64	78 $\frac{1}{4}$
26	66 $\frac{1}{8}$	82
27	69 $\frac{1}{4}$	85 $\frac{1}{8}$
28	71 $\frac{1}{8}$	88 $\frac{1}{4}$
29	74 $\frac{1}{8}$	91 $\frac{1}{8}$
30	77 $\frac{1}{4}$	94 $\frac{1}{2}$
31	79 $\frac{1}{8}$	97 $\frac{1}{8}$
32	82 $\frac{1}{2}$	100 $\frac{1}{8}$
33	85 $\frac{1}{8}$	104
34	87 $\frac{1}{4}$	107 $\frac{1}{8}$
35	90 $\frac{1}{2}$	110 $\frac{1}{4}$
36	93 $\frac{1}{8}$	113 $\frac{1}{8}$
37	95 $\frac{1}{8}$	116 $\frac{1}{8}$
38	98 $\frac{1}{2}$	119 $\frac{1}{4}$
39	101 $\frac{1}{8}$	122 $\frac{1}{8}$
40	103 $\frac{1}{4}$	126
41	106 $\frac{1}{8}$	129 $\frac{1}{8}$
42	109	132 $\frac{1}{4}$
43	111 $\frac{1}{4}$	135 $\frac{1}{2}$
44	114 $\frac{1}{8}$	138 $\frac{1}{8}$
45	117	141 $\frac{3}{4}$
46	118 $\frac{3}{4}$	144

FBW = Finished Blind Width
 CO = Clear Opening
 Stack = FBW - CO

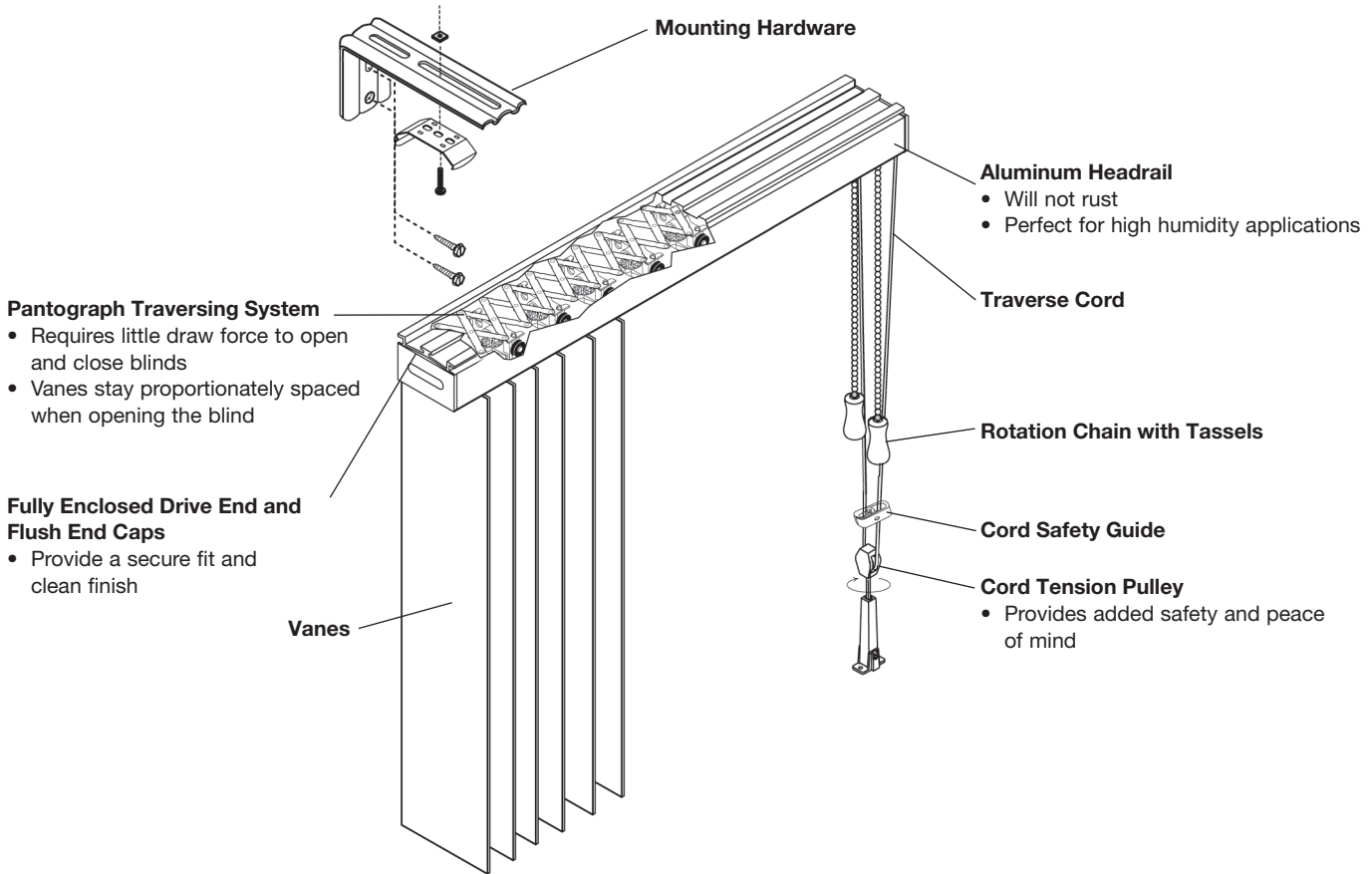
General Information

Sheer Vertical Blinds: Vane Color Coordination Chart

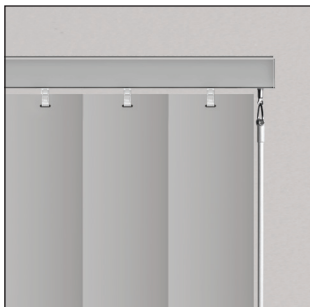
Fabric Name	Color Name	Color Number	Recommended Vane, Bead Chain, and Cord Weight Color
Bengali	Jute	2760	Ivory
Cascade	Champagne	2080	Ivory
Dijon	Downey	2221	White
	Extra White	2220	White
	Stucco	2222	Ivory
Gossamer	Champagne	1720	Ivory
	Parchment	1722	Ivory
	Snowstone	1724	White
	White	1725	White
Highlight	Champagne	1740	Ivory
	Snowstone	1741	White
	White	1742	White

General Information

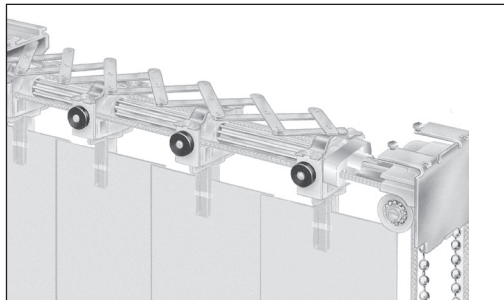
G-71 Super-Vue® Product Detail



Exterior View



Interior View



Features	Benefits
Heavy-Duty Anodized Aluminum Headrail	Will not rust; ideal for high-humidity applications
Rack and Pinion Gear System	Allows vanes to rotate smoothly and easily
Centrally Located Carrier Stems	Reversible headrail
Pantograph System	Requires very little draw force to open and close blinds; vanes stay proportionately spaced when opening the blind
One Touch® Control	Safety and convenience
Removable Stems	Ability to repair instead of remaking—less invasive for the customer
E-Z Open™	Automatically rotates the vanes when the cord is pulled to traverse the blind; not available with cord tension pulley, One Touch, and center, opposite, or uneven stack
Clear Nylon Vane Stems	Nearly invisible, yet extremely strong

NOTE: Wand control is standard. See control options section for details.

General Information

G-98 Ultra-Vue™ Product Detail

Thin Profile Carrier System

- Narrow carrier width provides reduced vane stack
- Self-aligning carriers for trouble-free operation

Color Coordinated End Caps

- Provide a clean, finished look

Vane Weights

- Available on fabric vanes only
- Allow fabric to hang straight

Aluminum Headrail

- Will not rust
- Perfect for high-humidity applications

Traverse Cord

Rotation Chain with Tassels

Cord Safety Guide

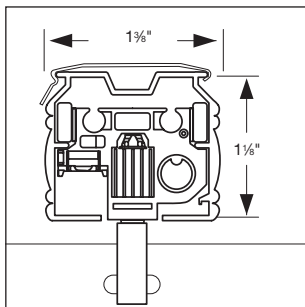
Cord Tension Pulley

- Provides added safety and peace of mind

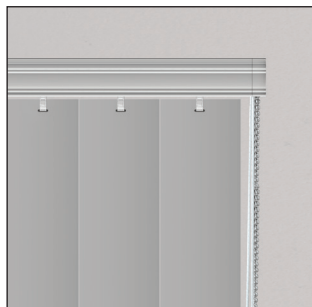
Bottom Clip and Chain (optional for fabric vanes)

- Stabilizes vanes in a moving air environment (i.e. screen door, heat register)

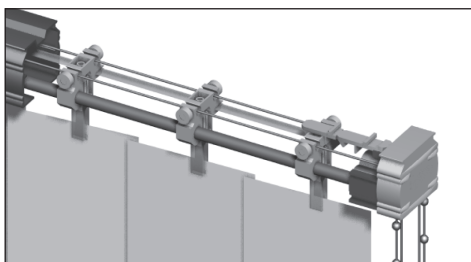
Inside Headrail View



Exterior View



Interior View



Features	Benefits
Heavy-Duty Anodized Aluminum Headrail	Will not rust; ideal for high-humidity applications
Thin Profile Carriers	Reduced stack
Self-Aligning Carriers	Trouble-free operation
Fully Enclosed Drive and Flush End Caps	Provides a secure fit and clean finished appearance
Low-Friction Wheeled Carriers	Vanes traverse smoothly
One Touch® Control	Safety and convenience
Centrally Located Carrier Stems and Symmetrical Cord and Chain Control	Headrail reversible for right or left control installation
Clear Nylon Vane Stems	Nearly invisible, yet extremely strong
Removable Stems	Ability to repair instead of remaking; less invasive for customer

NOTE: Wand control is standard. See control options section for details.

General Information

G-85 Dura-Vue® Product Detail

Thermolastic Carrier Linkage System

- Provides smooth traversing of vanes

Color Coordinated End Caps

- Provide a clean, finished look

Vane Weights

- Available on fabric vanes only
- Allow fabric to hang straight

Steel Headrail

Traverse Cord

Rotation Chain with Tassels

Cord Safety Guide

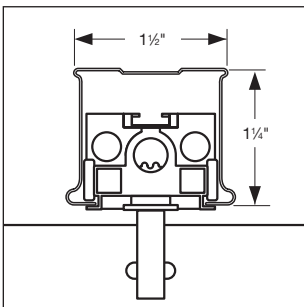
Cord Tension Pulley

- Provides added safety and peace of mind

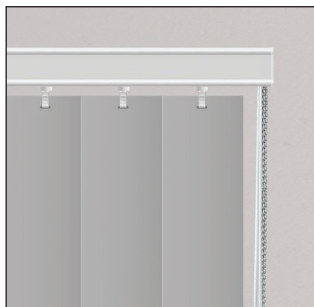
Bottom Clip and Chain (optional for fabric vanes)

- Stabilizes vanes in a moving air environment (i.e. screen door, heat register)

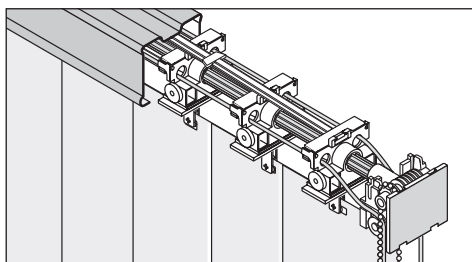
Inside Headrail View



Exterior View



Interior View

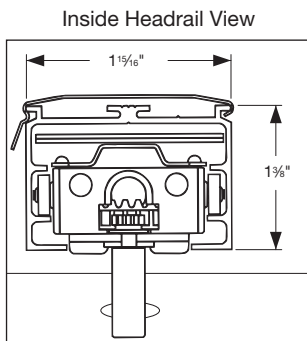
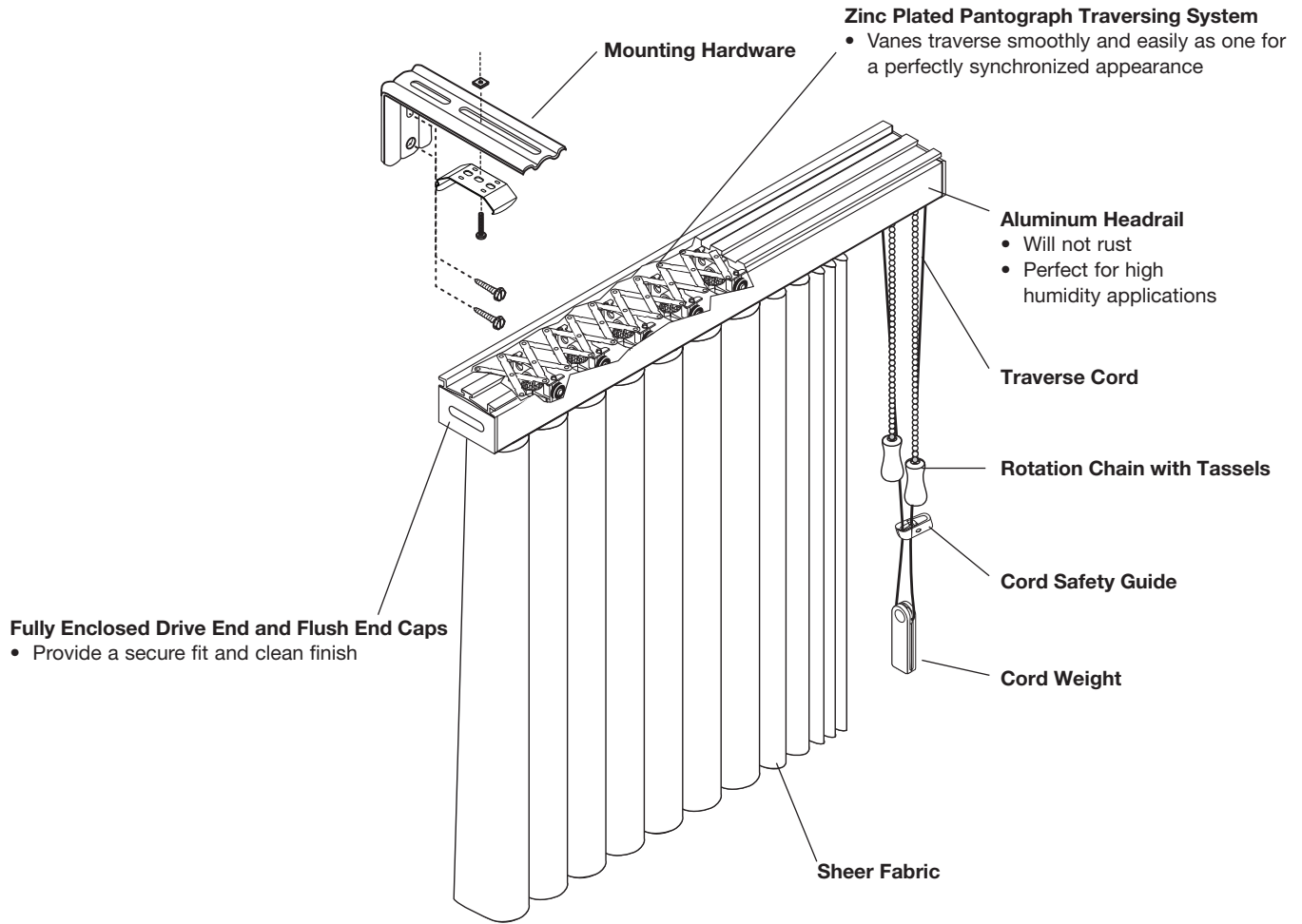


Features	Benefits
Steel Headrail with Ivory Finish	Provides strength and durability
Wheeled Carriers	Vanes traverse smoothly and easily
Centrally Located Carrier Stems	Headrail is reversible for right or left control position
Clear Nylon Vane Stems	Nearly invisible, yet extremely strong
Optional Stack and Control Positions	Single stack, split stack, opposite stack are available
One Touch® Control (standard)	Safety and convenience
Removable Stems	Ability to repair instead of remaking; less invasive for customer

NOTE: Wand control is standard. See control options section for details.

General Information

Sheer Vertical Blinds: G-71 Super-Vue® Product Detail



Features	Benefits
Easy Install Fabric	Install fabric after headrail installation; to clean, no need to take down entire blind
Skirt Only Option	Change fabric style or color when changing room décor
Washable Fabric	Remove fabric from blind to machine wash
Color Coordinated Thread	For finished appearance

NOTE: EZ Open™ feature is not available on sheer vertical blinds.

GRABER.

Graber is a brand of Springs Window Fashions, the Best Experience Company

(11/23) 23-484600

Graber and the Graber logo are registered trademarks of Springs Window Fashions, LLC.

GRABER.

Graber Vertical Blinds

Designer US Price List — Effective February 2025

Price Group A: Vinyl: Crown, Grotto

G-71 Super-Vue® and G-98 Ultra-Vue™

Height up to inches (cm) ↓	Width up to inches (cm) →														Vanes Only		
	25 (63.5)	38 (96.6)	50 (127)	63 (160.1)	75 (190.5)	85 (215.9)	88 (223.6)	100 (254)	113 (287.1)	120 (304.8)	132 (335.3)	144 (365.8)	(available for valances only)				
	154 (391.2)	164 (416.6)	174 (442)	184 (467.4)	191 (485.2)												
48 (122)	250	307	372	426	490	536	550	623	677	706	782	834					5
60 (152.4)	268	321	395	450	514	565	581	661	718	752	824	882					6
72 (182.9)	276	343	423	476	542	587	611	698	760	786	875	935					7
84 (213.4)	296	364	446	498	569	618	642	728	794	828	918	979					7
96 (243.9)	304	373	466	525	599	660	674	763	828	875	963	1029					9
104 (264.2)	314	393	486	550	629	686	705	801	873	914	1006	1078					9

Add Surcharge to Blind Price

	26	38	41	50	54	57	59	66	71	76	82	87	93	98	103	108	114
Square-Corner Valance	26	38	41	50	54	57	59	66	71	76	82	87	93	98	103	108	114
Round-Corner Valance*	28	41	49	57	60	65	66	76	81	86	97	103	109	116	121	126	
Double Round-Corner Valance*	54	83	95	114	120	129	132	150	162	171	194	205	217	230	241	254	

*Round-corner valances available up to 175" (144.5 cm) only on vinyl vertical blinds.

G-85 Dura-Vue®

Height up to inches (cm) ↓	Width up to inches (cm) →														Vanes Only		
	25 (63.5)	38 (96.6)	50 (127)	63 (160.1)	75 (190.5)	85 (215.9)	88 (223.6)	100 (254)	113 (287.1)	120 (304.8)	132 (335.3)	144 (365.8)	(available for valances only)				
	154 (391.2)	164 (416.6)	174 (442)	178% (454.1)													
48 (122)	185	222	260	292	328	352	359	410	440	458	507	536					5
60 (152.4)	197	244	278	310	348	377	385	437	479	489	545	577					6
72 (182.9)	213	257	302	330	371	404	410	470	508	527	584	621					7
84 (213.4)	220	268	320	351	398	426	433	497	540	560	621	659					7
96 (243.9)	229	284	333	373	419	456	464	527	569	593	651	697					9
104 (264.2)	244	301	352	396	440	480	487	559	600	627	695	734					9

Add Surcharge to Blind Price

	26	38	41	50	54	57	59	66	71	76	82	87	93	98	103	108
Square-Corner Valance	26	38	41	50	54	57	59	66	71	76	82	87	93	98	103	108
Round-Corner Valance*	28	41	49	57	60	65	66	76	81	86	97	103	109	116	121	126
Double Round-Corner Valance*	54	83	95	114	120	129	132	150	162	171	194	205	217	230	241	254

*Round-corner valances available up to 175" (144.5 cm) only on vinyl vertical blinds.

Vinyl: Crown*					
Alabaster	9303	Ivory	9307	White	9306
Candelabra	9300	Misty Gray	9312		
Carob	9317	Tan	9308		

Vinyl: Grotto					
Alabaster	6587	Stormcloud	6584	White	6585
Ivory	6586				

*Available in coordinating 2" (5.1 cm) horizontal vinyl blinds.

Price Group B: Vinyl: Cachet, Fiber, Quantum, Stowe, Window Weaves Channel Panel

G-71 Super-Vue® and G-98 Ultra-Vue™

Height up to inches (cm) ↓	Width up to inches (cm) →															Vanes Only			
	25 (63.5)	38 (96.6)	50 (127)	63 (160.1)	75 (190.5)	85 (215.9)	88 (223.6)	100 (254)	113 (287.1)	120 (304.8)	132 (335.3)	144 (365.8)	154 (391.2)	164 (416.6)	174 (442)		184 (467.4)	191 (485.2)	
48 (122)	300	369	448	514	587	644	665	758	818	860	940	1005							6
60 (152.4)	319	393	481	542	618	678	699	794	870	905	996	1068							6
72 (182.9)	333	412	507	573	649	718	739	837	914	949	1057	1124							7
84 (213.4)	355	431	535	602	689	752	767	882	954	1000	1102	1184							9
96 (243.9)	367	451	561	629	721	785	811	921	1000	1052	1157	1243							9
104 (264.2)	375	476	583	665	760	823	850	965	1048	1097	1209	1295							13

Add Surcharge to Blind Price

Square-Corner Valance	28	45	49	60	66	67	70	79	87	91	102	109	116	121	126	135	140
Round-Corner Valance*	32	49	58	69	75	77	79	91	100	105	116	125	135	141	147	155	
Double Round-Corner Valance*	62	95	116	137	147	152	157	180	201	209	230	251	267	281	294	311	

*Round-corner valances available up to 175" (144.5 cm) only on vinyl vertical blinds.

G-85 Dura-Vue®

Height up to inches (cm) ↓	Width up to inches (cm) →															Vanes Only		
	25 (63.5)	38 (96.6)	50 (127)	63 (160.1)	75 (190.5)	85 (215.9)	88 (223.6)	100 (254)	113 (287.1)	120 (304.8)	132 (335.3)	144 (365.8)	154 (391.2)	164 (416.6)	174 (442)		178% (454.1)	
48 (122)	227	276	328	368	420	457	464	530	572	593	649	695						6
60 (152.4)	248	301	352	389	446	482	489	562	615	634	696	744						6
72 (182.9)	260	319	377	420	472	509	522	597	646	675	746	792						7
84 (213.4)	271	330	403	440	498	540	553	634	682	717	788	839						9
96 (243.9)	285	351	422	470	530	573	585	667	723	755	832	890						9
104 (264.2)	300	367	439	492	560	606	621	703	759	800	878	936						13

Add Surcharge to Blind Price

Square-Corner Valance	28	45	49	60	66	67	70	79	87	91	102	109	116	121	126	135
Round-Corner Valance*	32	49	58	69	75	77	79	91	100	105	116	125	135	141	147	155
Double Round-Corner Valance*	62	95	116	137	147	152	157	180	201	209	230	251	267	281	294	311

*Round-corner valances available up to 175" (144.5 cm) only on vinyl vertical blinds.

Vinyl: Cachet*						
Ivory	6657		Shimmer Sage	6660	Tan	6654
Satin White	6651		Silver Dollar	6655	White	6650
Vinyl: Fiber*						
Bloodroot	3977		Midnight	3974	Shale	3090
Buttercream	3972		Pebble	3092	White	3973
Cinnamon	3976		Sandstone	3970		
Vinyl: Quantum*						
Chevre	6874		Model	6881	Shipwreck	6875
Cream	6879					
Vinyl: Stowe						
Bone	9014		Embankment	9022	Willow	9015
Cocoa	9011		Resort	9021	Yew	9020
Vinyl: Window Weaves						
Deep Walnut	3892		Melting Snow	3890	Pilaf	3896
Heath	3895		Millet	3897	Rice Paper	3893
Vinyl: Channel Panel						
Ivory	7137		White	7136		

*Available in coordinating 2" (5.1 cm) horizontal vinyl blinds.

Price Group C: Fabric: Baskerville, Brighton, Harmony, Sheffield
Vinyl: Homespun II, Lake Forest[®], Rapture, Satin Stripe
Vinyl S-Shaped: Linen S, Quantum S

G-71 Super-Vue[®] and G-98 Ultra-Vue[™]

Height up to inches (cm) ↓	Width up to inches (cm) →														Vanes Only			
	25 (63.5)	38 (96.6)	50 (127)	63 (160.1)	75 (190.5)	85 (215.9)	88 (223.6)	100 (254)	113 (287.1)	120 (304.8)	132 (335.3)	144 (365.8)	154 (391.2)	164 (416.6)		174 (442)	184 (467.4)	191 (485.2)
48 (122)	335	427	520	567	658	719	740	838	912	951	1046	1119						11
60 (152.4)	355	436	538	602	690	758	782	885	962	1008	1105	1184						13
72 (182.9)	368	464	561	638	722	794	823	931	1014	1059	1172	1249						13
84 (213.4)	390	480	594	669	762	834	858	980	1061	1115	1228	1316						15
96 (243.9)	403	498	623	705	808	875	905	1025	1115	1172	1288	1378						15
104 (264.2)	426	525	649	740	842	918	948	1084	1164	1223	1346	1441						17

Add Surcharge to Blind Price

Square-Corner Valance	32	48	53	62	69	71	74	80	89	95	104	111	119	125	135	141	149	
Round-Corner Valance*	35	53	59	71	76	79	81	95	104	108	120	129	137	145	157	166	176	
Double Round-Corner Valance*	70	104	118	141	150	157	162	189	207	214	239	255	271	290	313	331	351	
Stay Clear [™] Channel Panel	47	75	130	166	185	212	242	258	282	301	338	360	384	407	430	454	478	8

*Round-corner valances available up to 175" (144.5 cm) only on vinyl vertical blinds.

G-85 Dura-Vue[®]

Height up to inches (cm) ↓	Width up to inches (cm) →														Vanes Only			
	25 (63.5)	38 (96.6)	50 (127)	63 (160.1)	75 (190.5)	85 (215.9)	88 (223.6)	100 (254)	113 (287.1)	120 (304.8)	132 (335.3)	144 (365.8)	154 (391.2)	164 (416.6)		174 (442)	178 1/4 (454.1)	
48 (122)	256	311	368	408	471	509	518	591	638	667	732	782						11
60 (152.4)	276	332	398	440	498	540	554	627	688	708	782	837						13
72 (182.9)	288	355	420	466	529	571	585	671	726	755	837	886						13
84 (213.4)	301	370	448	498	559	608	620	707	766	800	882	938						15
96 (243.9)	320	394	471	525	591	638	651	751	807	845	934	995						15
104 (264.2)	347	407	497	554	623	680	691	787	849	890	982	1049						17

Add Surcharge to Blind Price

Square-Corner Valance	32	48	53	62	69	71	74	80	89	95	104	111	119	125	135	141	
Round-Corner Valance*	35	53	59	71	76	79	81	95	104	108	120	129	137	145	157	166	
Double Round-Corner Valance*	70	104	118	141	150	157	162	189	207	214	239	255	271	290	313	331	
Stay Clear [™] Channel Panel	47	75	130	166	185	212	242	258	282	301	338	360	384	407	430	454	8

*Round-corner valances available up to 175" (144.5 cm) only on vinyl vertical blinds.

Fabric: Baskerville					
Caffeine	0393	Havarti	0390	Provalone	0391
Gouda	0392				

Fabric: Brighton^o					
Bark	4205	Sugar Maple	4202	Tundra	4201
Bone	4222	Toast	4282		

Fabric: Harmony^o					
Cityscape	0232	Pebble	0230	Tassel	0231
Glacial	0233				

Fabric: Sheffield^o					
Chelsea	0201	Meadow	0207	Windsor	0203
Eclipse	0205	Tuscon	0204		
Henley	0202	Weathered	0206		

Vinyl: Homespun II*					
Beach	9113	Chocolate	9114	Ivory	9111
Butterscotch	9112				

Vinyl: Lake Forest^Δ					
Cognac	3771	Natural	3773	Wheat	3770
Golden Oak	3772				

Vinyl: Rapture*					
Bleach	3612	Heather	3610	Steel	3614

Vinyl: Satin Stripe					
Imperial	9489	Sand	9481	Snow	9485
Ivory	9480	Silversmith	9488		

Vinyl S-Shaped: Linen S*					
Café	6263	Granite	6267	Snow	6260
Cream	6261	Lakebed	6266		
Ebony	6265	Lichen	6262		

Vinyl S-Shaped: Quantum S					
Chevre	3396	Model	3395	Shipwreck	3397
Cream	3391				

* Available in coordinating 2" (5.1 cm) horizontal vinyl blinds.

Δ Available in coordinating Lake Forest® Faux Wood blinds.

o Some selections are available in coordinating LightWeaves® Roller, FashionPleat®, and EvenPleat® Shades.

Price Group D: Fabric: Devon, Grasses, Tahiti Weave, Thatch

Vinyl: Chenille, Parallels, Safari

Vinyl S-Shaped: Homespun II S

G-71 Super-Vue® and G-98 Ultra-Vue™

Height up to inches (cm) ↓	Width up to inches (cm) →															Vanes Only		
	25 (63.5)	38 (96.6)	50 (127)	63 (160.1)	75 (190.5)	85 (215.9)	88 (223.6)	100 (254)	113 (287.1)	120 (304.8)	132 (335.3)	144 (365.8)	154 (391.2)	164 (416.6)	174 (442)		184 (467.4)	191 (485.2)
48 (122)	393	485	592	678	782	855	876	997	1086	1130	1246	1330						13
60 (152.4)	416	522	636	718	818	899	931	1052	1143	1194	1319	1404						16
72 (182.9)	445	543	669	760	857	941	973	1109	1207	1255	1396	1487						16
84 (213.4)	460	569	705	801	909	986	1021	1164	1267	1320	1462	1564						16
96 (243.9)	485	599	739	838	959	1040	1074	1222	1327	1388	1537	1641						19
104 (264.2)	500	628	775	876	1001	1096	1123	1281	1384	1454	1604	1714						19

Add Surcharge to Blind Price

Square-Corner Valance	34	51	60	69	74	78	79	91	103	105	117	125	136	143	151	162	170	
Round-Corner Valance*	39	60	69	78	83	89	97	108	116	120	136	143	153	164	174	183	193	
Double Round-Corner Valance*	79	120	137	154	166	177	194	214	230	239	269	285	306	326	347	366	384	
Stay Clear™ Channel Panel	47	75	130	166	185	212	242	258	282	301	338	360	384	407	430	454	478	8

*Round-corner valances available up to 175" (144.5 cm) only on vinyl vertical blinds.

G-85 Dura-Vue®

Height up to inches (cm) ↓	Width up to inches (cm) →															Vanes Only		
	25 (63.5)	38 (96.6)	50 (127)	63 (160.1)	75 (190.5)	85 (215.9)	88 (223.6)	100 (254)	113 (287.1)	120 (304.8)	132 (335.3)	144 (365.8)	154 (391.2)	164 (416.6)	174 (442)		178½ (454.1)	
48 (122)	304	375	450	509	584	633	644	737	795	832	912	974						13
60 (152.4)	327	406	481	535	615	672	688	782	846	882	974	1038						16
72 (182.9)	344	426	511	570	644	705	724	825	899	933	1036	1102						16
84 (213.4)	362	440	537	606	688	749	761	875	945	982	1088	1163						16
96 (243.9)	380	468	569	637	722	784	802	917	997	1041	1145	1227						19
104 (264.2)	395	489	596	672	759	831	845	964	1043	1088	1210	1287						19

Add Surcharge to Blind Price

Square-Corner Valance	34	51	60	69	74	78	79	91	103	105	117	125	136	143	151	162	
Round-Corner Valance*	39	60	69	78	83	89	97	108	116	120	136	143	153	164	174	183	
Double Round-Corner Valance*	79	120	137	154	166	177	194	214	230	239	269	285	306	326	347	366	
Stay Clear™ Channel Panel	47	75	130	166	185	212	242	258	282	301	338	360	384	407	430	454	8

*Round-corner valances available up to 175" (144.5 cm) only on vinyl vertical blinds.

Fabric: Devon						
Abbot	0032		Plymouth	0030	Torbay	0031
Newton	0033					

Fabric: Grasses						
Chestnut	1713		Maple	1710	Twig	1711
Hardwood	1712					

Fabric: Tahiti Weave						
Autumn	0455		Bourbon	0451	Tortoise Shell	0454
Basket Weave	0453		Hudson	0450		

Fabric: Thatch						
Coffee	1565		Natural	1560	Toffee	1563

Vinyl: Chenille						
Aluminum	6801		Cream	6791	Off White	6790
Chantarelle	6802		Filigree	6799	Syrah	6800

Vinyl: Parallels						
Amaretto	6952		Spice	6951	Waterloo	6953
Mesa	6950					

Vinyl: Safari*						
Buffalo	3640		Moccasin	3643	Stormy Sage	3646
Hearthstone	3648		Quarry	3647		

Vinyl S-Shaped: Homespun II S						
Beach	9683		Chocolate	9684	Ivory	9681
Butterscotch	9682					

*Available in coordinating 2" (5.1 cm) horizontal vinyl blinds.

**Price Group E: Fabric: Allure, Royale, Strings, Tuvalu, Urban Loft
Vinyl: Acropolis, Coronation, Kensington
Vinyl S-Shaped: Georgetown S**

G-71 Super-Vue® and G-98 Ultra-Vue™

Height up to inches (cm) ↓	Width up to inches (cm) →														Vanes Only			
	25 (63.5)	38 (96.6)	50 (127)	63 (160.1)	75 (190.5)	85 (215.9)	88 (223.6)	100 (254)	113 (287.1)	120 (304.8)	132 (335.3)	144 (365.8)	154 (391.2)	164 (416.6)		174 (442)	184 (467.4)	191 (485.2)
48 (122)	436	538	658	754	863	947	968	1099	1200	1252	1378	1470						16
60 (152.4)	459	579	701	790	908	997	1027	1164	1266	1319	1461	1557						18
72 (182.9)	488	602	740	842	949	1041	1078	1226	1333	1390	1543	1648						23
84 (213.4)	513	635	783	886	1006	1091	1129	1288	1401	1462	1617	1732						23
96 (243.9)	538	665	816	924	1059	1152	1188	1351	1466	1538	1696	1816						28
104 (264.2)	555	695	857	968	1105	1210	1242	1419	1532	1606	1779	1897						31

Add Surcharge to Blind Price

Square-Corner Valance	37	57	67	78	81	88	94	100	114	118	132	139	149	160	168	179	189	
Round-Corner Valance*	41	65	78	88	94	100	104	118	131	135	151	162	172	183	196	206	218	
Double Round-Corner Valance*	83	129	154	175	186	201	207	235	260	267	301	322	343	366	391	411	434	
Stay Clear™ Channel Panel	47	75	130	166	185	212	242	258	282	301	338	360	384	407	430	454	478	8

*Round-corner valances available up to 175" (144.5 cm) only on vinyl vertical blinds.

G-85 Dura-Vue®

Height up to inches (cm) ↓	Width up to inches (cm) →														Vanes Only			
	25 (63.5)	38 (96.6)	50 (127)	63 (160.1)	75 (190.5)	85 (215.9)	88 (223.6)	100 (254)	113 (287.1)	120 (304.8)	132 (335.3)	144 (365.8)	154 (391.2)	164 (416.6)		174 (442)	178¼ (454.1)	
48 (122)	336	412	494	560	638	696	708	809	876	914	1002	1070						16
60 (152.4)	359	448	530	587	675	740	755	858	932	970	1070	1140						18
72 (182.9)	377	468	562	626	708	775	795	905	982	1024	1138	1212						23
84 (213.4)	401	485	591	664	755	823	837	959	1039	1083	1199	1280						23
96 (243.9)	419	511	625	701	793	864	881	1008	1097	1145	1257	1348						28
104 (264.2)	432	538	651	740	835	913	931	1062	1146	1199	1330	1414						31

Add Surcharge to Blind Price

Square-Corner Valance	37	57	67	78	81	88	94	100	114	118	132	139	149	160	168	179	
Round-Corner Valance*	41	65	78	88	94	100	104	118	131	135	151	162	172	183	196	206	
Double Round-Corner Valance*	83	129	154	175	186	201	207	235	260	267	301	322	343	366	391	411	
Stay Clear™ Channel Panel	47	75	130	166	185	212	242	258	282	301	338	360	384	407	430	454	8

*Round-corner valances available up to 175" (144.5 cm) only on vinyl vertical blinds.

Fabric: Allure^ø					
Fog	0511	Latte	0513	Titanium	0510
Glimmer	0512	Still Water	0514		
Fabric: Royale^ø					
Granite	0431	Saddle	0433	Storm	0432
Ivory	0430				
Fabric: Strings					
Delicate	4750	Urban Mist	4753	Winsome	4752
Parfait	4751				
Fabric: Tuvalu^ø					
Cream Caramel	0440	Cream Silk	0441	French Silk	0442
Fabric: Urban Loft					
Ductwork	0380	Rooftop	0383	Skyline	0381
Exposed Brick	0382				
Vinyl: Acropolis					
Laurel Wreath	3134	Olympus	3130	Poseidon	3131
Olive Oil	3132	Parthenon	3133		
Vinyl: Coronation*					
Decree	3751	Proclamation	3752	Sceptre	3754
Princess	3750	Royal Coach	3753		
Vinyl: Kensington*					
Bellhop	3255	Passport	3252	Titanium	3254
Fresh Linens	3250	Room Key	3253		
Vinyl S-Shaped: Georgetown S*					
Capitol Hill	6698	National Mall	6699	Tawny	6693
Flax	6697	Smithsonian	6700	White	6691

* Available in coordinating 2" (5.1 cm) horizontal vinyl blinds.

ø Some selections are available in coordinating LightWeaves® Roller, FashionPleat®, and EvenPleat® Shades.

Price Group F: Fabric: Compass, Crossweave, Network, Prescott

G-71 Super-Vue® and G-98 Ultra-Vue™

Height up to inches (cm) ↓	Width up to inches (cm) →															Vanes Only		
	25 (63.5)	38 (96.6)	50 (127)	63 (160.1)	75 (190.5)	85 (215.9)	88 (223.6)	100 (254)	113 (287.1)	120 (304.8)	132 (335.3)	144 (365.8)	154 (391.2)	164 (416.6)	174 (442)		184 (467.4)	191 (485.2)
48 (122)	486	608	738	849	968	1061	1089	1237	1351	1403	1552	1656						21
60 (152.4)	521	647	788	885	1021	1119	1154	1309	1421	1485	1641	1748						24
72 (182.9)	548	677	828	940	1070	1174	1208	1376	1499	1564	1736	1852						26
84 (213.4)	577	709	875	997	1129	1229	1267	1449	1573	1645	1823	1945						27
96 (243.9)	608	746	918	1040	1188	1294	1336	1517	1650	1728	1907	2037						34
104 (264.2)	626	780	962	1089	1244	1364	1398	1592	1720	1804	1997	2136						36

Add Surcharge to Blind Price

Square-Corner Valance	48	71	83	98	100	110	114	126	140	142	164	172	183	196	206	218	228	
Round-Corner Valance*	53	80	98	110	117	126	129	142	163	166	185	201	214	227	241	256	268	
Double Round-Corner Valance*	104	160	196	219	233	254	258	283	324	331	370	401	428	453	482	511	536	
Stay Clear™ Channel Panel	47	75	130	166	185	212	242	258	282	301	338	360	384	407	430	454	478	8

*Round-corner valances available up to 175" (144.5 cm) only on vinyl vertical blinds.

G-85 Dura-Vue®

Height up to inches (cm) ↓	Width up to inches (cm) →															Vanes Only		
	25 (63.5)	38 (96.6)	50 (127)	63 (160.1)	75 (190.5)	85 (215.9)	88 (223.6)	100 (254)	113 (287.1)	120 (304.8)	132 (335.3)	144 (365.8)	154 (391.2)	164 (416.6)	174 (442)		178½ (454.1)	
48 (122)	378	471	561	633	723	784	804	913	993	1035	1134	1214						21
60 (152.4)	406	501	599	664	761	833	855	973	1052	1099	1214	1290						24
72 (182.9)	431	529	635	709	804	878	902	1025	1116	1160	1285	1372						26
84 (213.4)	450	553	672	751	855	928	949	1087	1178	1228	1356	1447						27
96 (243.9)	473	581	707	794	901	975	999	1141	1237	1292	1428	1527						34
104 (264.2)	489	612	741	833	947	1034	1050	1203	1294	1356	1505	1601						36

Add Surcharge to Blind Price

Square-Corner Valance	48	71	83	98	100	110	114	126	140	142	164	172	183	196	206	218	
Round-Corner Valance*	53	80	98	110	117	126	129	142	163	166	185	201	214	227	241	256	
Double Round-Corner Valance*	104	160	196	219	233	254	258	283	324	331	370	401	428	453	482	511	
Stay Clear™ Channel Panel	47	75	130	166	185	212	242	258	282	301	338	360	384	407	430	454	8

*Round-corner valances available up to 175" (144.5 cm) only on vinyl vertical blinds.

Fabric: Compass					
Due North	0072	South Seas	0071	True West	0070

Fabric: Crossweave ^ø					
Beechwood	2510	Tahiti	2512	Thatched Roof	2513

Fabric: Network					
Medallion	0372	Quicksilver	0371	Seashell	0370

Fabric: Prescott					
Dune	0172	Fossil	0171	Mirage	0170

ø Some selections are available in coordinating LightWeaves® Roller, FashionPleat®, and EvenPleat® Shades.

Price Group G: Sheer Vertical Blinds: Gossamer, Highlight

Height up to inches (cm) ↓	Width up to inches (cm) →											Vanes Only		
	25 (63.5)	38 (96.6)	50 (127)	63 (160.1)	75 (190.5)	85 (215.9)	88 (223.6)	101 (256.6)	120 (304.8)	144 (365.8)	170 (431.8)		178 (452.2)	191 (485.2)
48 (122)	1118	1365	1668	1982	2225	2567	2609	2904	3228	3667				3
60 (152.4)	1216	1648	1868	2110	2400	2609	2655	2940	3462	4142				6
72 (182.9)	1277	1668	1889	2129	2428	2629	2746	3079	3568	4256				6
84 (213.4)	1297	1693	1917	2159	2448	2655	2767	3107	3637	4544				6
96 (243.9)	1309	1725	1946	2190	2481	2686	2798	3135	3729	4615				6
104 (264.2)	1331	1730	1964	2214	2504	2711	2822	3154	3821	4690				8

Add Surcharge to Blind Price

Dauphine® Valance	No charge													
Round-Corner Valance	57	88	108	121	128	140	143	157	183	220	265	281	296	
Double Round-Corner Valance	114	175	214	241	256	279	285	313	366	438	530	561	591	

Sheer: Gossamer [§]						
Champagne	1720		Snowstone	1724	White	1725

Sheer: Highlight [§]						
Champagne	1740		Snowstone	1742	White	1741

§Available in coordinating Graber® Artisan.

Price Group H: Sheer Vertical Blinds: Cascade, Dijon

Height up to inches (cm) ↓	Width up to inches (cm) →											Vanes Only		
	25 (63.5)	38 (96.6)	50 (127)	63 (160.1)	75 (190.5)	85 (215.9)	88 (223.6)	101 (256.6)	120 (304.8)	144 (365.8)	170 (431.8)		178 (452.2)	191 (485.2)
48 (122)	1279	1556	1901	2261	2537	2926	2974	3307	3681	4175				3
60 (152.4)	1389	1885	2136	2403	2737	2974	3023	3352	3945	4721				6
72 (182.9)	1460	1905	2157	2428	2765	2999	3128	3509	4073	4850				6
84 (213.4)	1483	1937	2189	2465	2796	3023	3157	3542	4150	5185				6
96 (243.9)	1498	1968	2221	2494	2830	3068	3187	3576	4255	5265				6
104 (264.2)	1527	1979	2246	2528	2859	3094	3220	3599	4364	5354				8

Add Surcharge to Blind Price

Dauphine® Valance	No charge													
Round-Corner Valance	59	94	114	126	136	146	150	164	193	230	280	296	309	
Double Round-Corner Valance	118	186	226	254	269	292	299	326	384	459	558	591	618	

Cascade [§]					
Champagne	2080				

Dijon						
Downey	2221		Extra White	2220	Stucco	2222

§Available in coordinating Graber® Artisan.

Options Pricing

Vertical Blind Options

Angled Window Blind (Tilt Only)	441 surcharge added to price from G-71 charts using angled width and longest height
Angled Window Headrail (Tilt Only)	441 surcharge added to price from G-71 replacement headrail chart using angled width
Bay and Corner Window Cut-Outs	No charge 71
Double-Round Corner Valance Headrail Pricing	See price charts for surcharge See headrail pricing
Projection Brackets: 4 3/8" (11.2 cm)	No charge
Replacement Valances	See price charts (same as valance surcharges)
Round-Corner Valance	See price charts for surcharge
Square-Corner Valance	See price charts for surcharge
Stacking Options Stay Clear™	45 per blind for uneven stack
Channel Panels	See price charts for surcharge
Vane Replacements	See price charts
Wood Cornices and Valances	See cornices and valances product information guide

Sheer Vertical Blind Options

Bay and Corner Window	No charge
Dauphine® Valance	No charge
Double Round-Corner Valance	See price charts for surcharge
Round-Corner Valance	See price charts for surcharge
Vane Replacement	See price charts
Wood Cornices and Valances	See cornices and valances product information guide

Vertical Blinds: Replacement Headrail Pricing

	Width up to inches (cm) →											
	25 (63.5)	38 (96.6)	50 (127)	63 (160.1)	75 (190.5)	85 (215.9)	88 (223.6)	100 (254)	113 (287.1)	120 (304.8)	132 (335.3)	144 (365.8)
G-71 Super-Vue and G-98 Ultra-Vue	87	135	177	223	264	302	310	353	395	427	467	508
G-85 Dura-Vue	75	115	144	181	210	240	244	280	313	340	370	405

NOTE: Dura-Vue maximum size 178 3/4" (454.1 cm).

NOTE: Valance not included with replacement headrail. Must be ordered separately. See individual price chart for ordering.

NOTE: Replacement headrails include installation hardware.

Sheer Vertical Blinds: Replacement Headrail Pricing

	Width up to inches (cm) →									
	25 (63.5)	38 (96.6)	51 (129.6)	63 (160.1)	76 (193.1)	85 (215.9)	88 (223.6)	101 (256.6)	120 (304.8)	144 (365.8)
Headrail	115	175	231	290	347	386	404	461	549	659

Sheer Vertical Blinds: Replacement Valance Pricing

Round-Corner Valance

	Width up to →												
	25 (63.5)	38 (96.6)	51 (129.6)	63 (160.1)	76 (193.1)	85 (215.9)	88 (223.6)	101 (256.6)	120 (304.8)	144 (365.8)	170 (431.8)	178 (452.2)	191 (485.2)
Group G	60	93	114	128	136	147	151	166	194	233	281	297	313
Group H	62	99	120	135	143	154	158	173	203	242	296	313	326

Double Round-Corner Valance

	Width up to →												
	25 (63.5)	38 (96.6)	51 (129.6)	63 (160.1)	76 (193.1)	85 (215.9)	88 (223.6)	101 (256.6)	120 (304.8)	144 (365.8)	170 (431.8)	178 (452.2)	191 (485.2)
Group G	120	185	227	256	270	294	301	329	386	464	561	593	624
Group H	124	197	238	267	284	308	317	345	406	486	591	624	654

NOTE: Replacement valances include mounting hardware and returns.

Sheer Vertical Blinds: Replacement Fabric Pricing

Width up to inches (cm) →

25 38 51 63 76 85 88 101 120 144
 (63.5) (96.6) (129.6) (160.1) (193.1) (215.9) (223.6) (256.6) (304.8) (365.8)

Chart G	853	1296	1388	1669	1847	1915	2025	2271	2675	3171
Chart H	984	1501	1617	1939	2179	2249	2384	2677	3161	3752

Sheer Vertical Blinds: Replacement Valance Fabric Only Pricing

Width up to inches (cm) →

25 38 51 63 76 85 88 101 120 144 170 178 191
 (63.5) (96.6) (129.6) (160.1) (193.1) (215.9) (223.6) (256.6) (304.8) (365.8) (431.8) (452.2) (485.2)

Valance Fabric Only	20	27	44	55	60	68	71	81	101	118	141	144	155
----------------------------	----	----	----	----	----	----	----	----	-----	-----	-----	-----	-----

Replacement Dauphine® Valance with Shirred Fabric Pricing

Width up to inches (cm) →

25 38 51 63 76 85 88 101 120 144 170 178 191
 (63.5) (96.6) (129.6) (160.1) (193.1) (215.9) (223.6) (256.6) (304.8) (365.8) (431.8) (452.2) (485.2)

Chart G	109	160	214	271	326	380	385	453	519	639	754	792	846
Chart H	124	185	246	299	356	399	414	471	561	677	803	833	898