

TRADEWINDS® NATURAL SHADES

TABLE OF CONTENTS

SHADE FEATURES AND SIZE CONSIDERATIONS	
Summary: Shade Features	2
Nature's Beauty of Natural Shades	3
Unique Characteristics of Natural Shade Materials	3
Fabric Styles and Information: Natural Shades and Natural Drapes	4
Light Control and Privacy	4
Size Considerations	5
SHADE OPTIONS	
Summary: Shade Options	6
Standard Cord Control, Continuous-loop Lift System and Motorized Lift: Natural Shades	7
Standard and Optional Control: Natural Drapes	8
Edge Banding and Colors: Natural Shades and Natural Drapes	9
Liners: Natural Shades and Natural Drapes	10
Fullness: Natural Drapes	10
Bottom Up/Top Down, Cut-Outs: Natural Shades	11
Multiple Shades on One Headrail: Natural Shades	12
Bay and Corner Windows	13
Valances Options: Natural Shades	14
Deco-Trim Valance or Hems: Natural Shades	15
Accent Gimp: Natural Shades	15
Deco-Pocket Hem: Natural Shades and Size Consideration for Valance and Hem Options	16
Wood Hem Bar: Natural Shades	16
Angle Top: Natural Shades	17
GENERAL INFORMATION	
Suggested Privacy and Room Darkening Liner Color Coordination Chart	18
Stack Height Chart	19
Standard Roman/Old Style Roman and Looped Shade Product Detail (Standard Cord Controls)	20
Continuous-loop Lift System Product Detail	21
Natural Drape Product Detail	22
PRICING	
Natural Shades Pricing	
Price Group A – Anyi	23
Price Group B – Escape, Heibei, Serenity	24
Price Group C – Chencun, Lipo, Lutan, Ningtu, Yunnan	25
Price Group D – Ascot, Inan, Shanghai, Terrestrial, Toushan II	26
Price Group E – Amour, Anshun, Dalan, Liren, Majian, Taima, Tangjia, Zishan	27
Price Group F – Baisha, Beikan, Meilin, Shatian, Wuxi	28
Options Pricing Chart	29
Natural Drape Pricing	
Price Group G – Anyi	31
Price Group H – Escape, Heibei	32
Price Group I – Chencun, Lipo, Lutan, Ningtu, Yunnan	33
Price Group J – Inan, Toushan II	34
Price Group K – Amour, Dalan, Majian, Tangjia	35

Shade Features

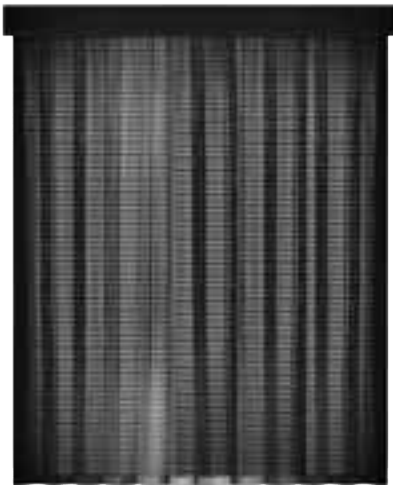
NATURAL SHADES



Graber® Natural Shades are crafted from bamboo reed, slit bamboo, sisal, grass and jute materials. They add natural color, texture and dimension to your windows and create a comfortable atmosphere of casual elegance or simple sophistication.

- Standard, Old Style or Looped Roman Shade designs
- Wide selection of colors, textures and unique weaves
- Standard Cord Control, Continuous-loop Lift System, Bottom Up/Top Down and Motorized Lift available
- Hardwood headrail

NATURAL DRAPES



- Natural Drapes feature the rolling qualities of drapery in vertically oriented Natural Shade material
- Features corded control in single or split stack; optional wand control available at no charge
- Choose from standard fullness (when closed, waves slightly) or a 60% fullness (when closed, features drapery-like appearance)
- Valance with vertically oriented material and a liner is included at no charge
- Shade without valance is not recommended, aluminum track will be exposed (optional at no charge)
- Valance and returns will extend 1/2" further than drape width
- Edge Banding is required on the drapes and valance.
 - Select from 1" or 2" Solid Edge Banding for the drapes
 - Valance uses matching 1" Edge Banding

NOTE: Not available with Anshun, Baisha, Beikan, Liren, Meilin, Serenity, Shatian, Taima, Wuxi and Zishan.

Shade Features

NATURE'S BEAUTY OF NATURAL SHADES



There is simply no substitute for the beauty of the materials used in Natural Shades. The colors and textures of bamboo, reeds, grass and jute have a distinct character and one-of-a-kind look that synthetic materials can't match.

With character, however, comes inherent natural properties that may influence the appearance of the finished shade. Recognizing and understanding the characteristic traits of natural materials will provide more satisfaction and enjoyment by knowing why each shade is truly unique!

UNIQUE CHARACTERISTICS OF NATURAL SHADES

Asymmetry

Materials used in Natural Shades are grown and harvested naturally. Variations in shape, thickness, texture and graining are to be expected from Mother Nature. While adding personality, these variations create asymmetry in the weave that may alter the appearance of the finished shades. Specifically, you may notice:

- **Uneven spacing or gaps** – differences in bamboo or reed shapes and thicknesses can create uneven spacing or gaps in the weave
- **Pattern changes or gaps** – varying thickness of grassy materials, tied knots and splices can create visual disruptions in the weave pattern or gaps in the weave
- **Length differences** – variations in thickness, bamboo joints or reed sizes can create length differences from both sides of the shades
- **Bowing or arching** – different drying rates of bamboo fibers on one side and skin on the other side of the bamboo slat can create a bowing or arching effect on the finished shades

To minimize variations, all materials used are hand selected to strict specifications. These variations are not considered flaws, but rather are normal characteristics to be expected from naturally-grown materials.

Color

Mellowing with age, the color of bamboo, reeds, jute, grasses and other natural materials will change slightly. Depending on material composition, they may lighten or darken due to direct sunlight or other climatic conditions. Uncolored bamboo will experience the most color shift, changing from a green color at harvest to a yellow-brown color over three to six months. Color matching of shades cannot be guaranteed as these are natural reactions to aging.

Stretching

The natural elasticity of yarns, combined with the weight of the woven material may cause shades to stretch from 1" to 1½" after installation. This is particularly noticeable on inside mount shades or shades that extend from ceiling to floor. Ordering shades shorter than needed will help compensate for stretching over time. Adding edge banding not only gives your shades a truly personal touch, but also helps to control the stretching.

Tips

During the shipping process, the natural material may have shifted slightly due to its woven construction, causing slight shortening or uneven edges.

Height – If after installation, the shades are slightly shorter than ordered, grasp the bottom of the shades and gently pull to stretch to the preferred height. Some materials will also stretch by themselves over time.

Uneven Edges – Lightly tap edge of the shades with a flat edge (for example, a ruler) until even.

Frayed Edges – If threads come loose near the edges, use a sharp scissors to trim off stray threads.

Natural Shades may have variations and visual inconsistencies in color, weave, grain and texture. They may also crack or split, twist or bow, shrink or stretch, and change color over time due to aging, direct sunlight or other climatic conditions. These unique characteristics are inherent in natural materials and are not considered defects in material or workmanship. Exact color matches cannot be guaranteed.

Shade Features

MATERIAL STYLES AND INFORMATION: NATURAL SHADES AND NATURAL DRAPES

	Price Group (Shades)	Price Group (Drapes)	Max Fabric Width	Privacy Light Control*	Material Content	Streetside Appearance
Amour	E	K	96"	Light Filtering	Slit Bamboo, Bamboo Reed, Curly Jute	Same front and back
Anshun	E	N/A	72"	Sheer to Light Filtering	Bamboo Reed, Hollow Bamboo, Cellulose	Same front and back
Anyi	A	G	96"	Sheer	Bamboo Reed	Same front and back
Ascot	D	N/A	96"	Sheer to Light Filtering	Bamboo Reed, Cellulose	Same front and back
Baisha	F	N/A	96"	Light Filtering	Bamboo Reed	Same front and back
Beikan	F	N/A	96"	Sheer to Light Filtering	Bamboo Reed, Grasses, Jute Braid	Same front and back
Chencun	C	I	96"	Sheer to Light Filtering	Slit Bamboo, Bamboo Reed	Same front and back
Dalan	E	K	96"	Light Filtering	Bamboo Reed, Jute Braid	Same front and back
Escape	B	H	96"	Light Filtering	Bamboo Reed	Same front and back
Heibei	B	H	96"	Sheer	Bamboo Reed	Same front and back
Inan	D	J	96"	Sheer to Light Filtering	Slit Bamboo, Bamboo Reed, Jute Rope	Same front and back
Lipo	C	I	96"	Sheer to Light Filtering	Slit Bamboo, Bamboo Reed	Same front and back
Liren	E	N/A	96"	Sheer to Light Filtering	Bamboo Reed, Hollow Bamboo, Jute Braid	Same front and back
Lutan	C	I	96"	Sheer to Light Filtering	Slit Bamboo, Bamboo Reed	Same front and back
Majian	E	K	96"	Sheer to Light Filtering	Bamboo Reed	Same front and back
Meilin	F	N/A	96"	Light Filtering	Jute, Jute Braid, Bamboo Reed	Same front and back
Ningtu	C	I	96"	Sheer to Light Filtering	Slit Bamboo, Bamboo Reed	Similar front and back
Serenity	B	N/A	96"	Light Filtering	Bamboo Reed	Same front and back
Shanghai	D	N/A	96"	Sheer to Light Filtering	Bamboo Reed	Same front and back
Shatian	F	N/A	72"	Sheer	Grass, Hollow Bamboo, Jute Braid, Bamboo Reed	Same front and back
Taima	E	N/A	96"	Sheer to Light Filtering	Jute, Bamboo Reed	Same front and back
Tangjia	E	K	96"	Sheer	Slit Bamboo, Bamboo Reed, Jute Twist	Same front and back
Terrestrial	D	N/A	96"	Light Filtering	Grass	Same front and back
Toushan II	D	J	96"	Light Filtering	Slit Bamboo, Bamboo Reed	Same front and back
Wuxi	F	N/A	72"	Sheer to Light Filtering	Bamboo Reed, Hollow Bamboo, Cellulose	Same front and back
Yunnan	C	I	96"	Light Filtering	Bamboo Reed	Similar front and back
Zishan	E	N/A	96"	Light Filtering	Grass, Bamboo Reed	Same front and back

*Privacy and Light Control without liner; addition of Privacy or Room Darkening (near Blackout) Liner improves Privacy and Light Control

LIGHT CONTROL AND PRIVACY

Sheer: Allows the most amount of light into the room for a minimum amount of privacy and a view to the outside. Objects in the room can be seen quite clearly through shades.

Light Filtering*: Allows light to gently filter through and provides privacy. Images and shapes may be seen through these shades.

Room Darkening: Allows some light to filter into the room and provides privacy.

Size Considerations

NATURAL SHADES

	WIDTH		HEIGHT	
	Minimum	Maximum	Minimum	Maximum
Standard Roman	10" Outside Mount 10½" Inside Mount	96" Single* 144" Multiple	10" 16" with Deco Pocket Hem	120"
Old Style Roman				
Looped Roman				
Bottom Up/Top Down				
Continuous-loop	24" Outside Mount 24½" Inside Mount		108"	
Motorization	16" Outside Mount 16½" Inside Mount	Determined by square feet; see Shade Options: Control Types for details.		

* Except Anshun, Shatian, Wuxi: maximum width 72"

Depth Requirements for Inside Mount

Type of Shade and Headrail Dimensions		Minimum Depth Mount	Flush with Casing
Standard Roman Bottom Up/Top Down		¾"	Valance: 2½"
Continuous-loop Lift Motorization			Valance: 3¾"

NATURAL DRAPES

	WIDTH		HEIGHT	
	Minimum	Maximum	Minimum	Maximum
Standard Drapery Fullness	16" Outside Mount 16¾" Inside Mount	192"	20"	96"
60% Drapery Fullness				

*Minimum surface for outside mount: 3"

Depth Requirements for Inside Mount

Headrail Dimensions		Minimum Depth Mount	Valance Flush with Casing
Cord Control – 1½" x 7/8"	Standard Drapery Fullness	3½"	8"
	60% Drapery Fullness	4½"	
Wand Control – 1½" x 7/8"	Standard Drapery Fullness	3½"	
	60% Drapery Fullness	4½"	

SHADE OPTIONS

The following is a list of options for Natural Shades. Most options are available in all styles and colors. Limitations will be based on fabric width and fabric type. See detailed descriptions on the following pages.

Control Type Options: Natural Shades–Standard Roman, Old Style Roman or Looped Roman—see Price Charts for applicable cost and/or surcharges

- Standard Cord Controls
- Continuous-loop Lift System
- Motorization

Shade Options: Natural Shades–No Charge

- Bay or Corner Window
- Cord Cleats
- Hem options: Standard Hem
- Hold-down Brackets
- Projection Brackets: 1¾"
- Valances: 6" standard
9" standard with Continuous-loop Lift and Motorized Lift
No Valance (optional)

Shade Options: Natural Shades–Surcharge

- Bottom Up/Top Down–Corded
- Cut-outs
- Fabric Edge Banding
- Hem options: Deco-trim Hem
Deco-pocket Hem
Wood Hem Bar
- Liners: Privacy and Room Darkening
- Motorized Standard Roman Shade
- Multiple Shades on One Headrail
- Valance options: 9" valance
Liner on valance
3½" Traditional Wood Valance
Deco-trim Valance
- Wood Cornice: See Cornices and Valances Price List and Product Information Guide

Specialty Shape Shade Options: see Options Pricing for applicable cost and/or surcharges

- Angle Top

Control Type Options: Natural Drapes—see Price Charts for applicable cost and/or surcharges

- Standard Cord Controls
- Wand Control

Shade Options: Natural Drapes–No Charge

- Ceiling Mount Brackets
- Edge Banding for top, bottom and valance
- Edge Banding for Drape side optional
- No Valance: Optional
- Self Valance included with liner

Shade Options: Natural Drapes–Surcharge

- Fullness – Standard or 60%
- Privacy or Room-darkening Liner (optional)
- Wood Cornice: See Cornices and Valances Price List and Product Information Guide

Natural Shades may have variations and visual inconsistencies in color, weave, grain and texture. They may also crack or split, twist or bow, shrink or stretch, and change color over time due to aging, direct sunlight or other climatic conditions. These unique characteristics are inherent in natural materials and are not considered defects in material or workmanship. Exact color matches cannot be guaranteed.

Shade Options: Control Types

STANDARD CORD CONTROL: NATURAL SHADES



- **No charge**
- Color-coordinated cord and tassels
- Controls can be on the right or left of the shade
- Optional safety cord cleat keeps the cord out of reach for children and pets

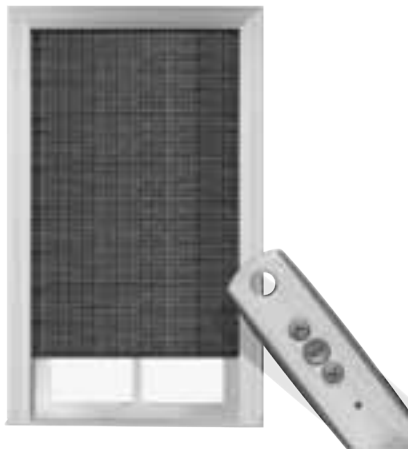
CONTINUOUS-LOOP LIFT: NATURAL SHADES



Bead chain shown; Cord is used on shades under 30 sq. ft. (shown on page 21)

- **For surcharge, see Options Pricing**
- Available on Standard Roman, Old Style Roman and Looped Roman Shades
- Continuous Cord Loop Control raises and lowers the shade and is color coordinated to the shade fabric
 - Shades over 30 square feet will use a nickel-plated steel bead chain loop in place of cord
 - When ordering different size shades for the same room, specify if bead chain is preferred for all shades
- America's #1 continuous clutch draw system by RollEase® allows you to raise or lower the shades smoothly and effortlessly
- Allows for easier operation of larger shades
- 9" valance is standard with the Continuous-loop Lift and Motorized Lift option; (6" valance not available)
- Not available with Corner, Bottom Up/Top Down or Angle Top shades

MOTORIZED LIFT: NATURAL SHADES



- **For surcharge, see Options Pricing**
- Motorization is only available on Standard Roman (includes 9" valance; liner suggested for sheer or light filtering material)
- Allows for easy operation for those hard to reach or large windows
- Efficiently manages energy (heat gain and loss)
- Provides safety, no external cords
- RF (Radio Frequency) Motorization allows shade operation from virtually anywhere in the house without direct line of site
- IR (Infrared) Motorization requires direct line of sight for shade operation
- Controllers operate groups of shades simultaneously or individually
- Remotes, wall switches and timers available
- Inside Mount 1/16" light gap per side

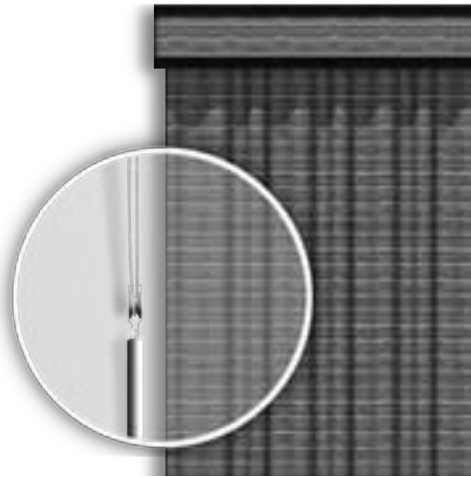
NOTE: Motorization components and accessories have a 5 year limited warranty, excludes battery wand.

Styles	Minimum Width	(Maximum by square feet)		
		Shade	With Liner	With pocket hem & rod
Anshun, Inan, Lipo, Liren, Ningtu, Serenity, Shanghai, Toushan II, Yunnan	16"	23	20	18
Heibei, Lutan, Wuxi	16"	38	31	27
Ascot, Beikan, Chencun, Dalan, Tangjia	16"	43	34	30
Amour, Anyi, Baisha, Escape, Majian	16"	50	39	34
Meilin, Shatian	16"	57	43	38
Taima, Terrestrial, Zishan	16"	74	52	46

For additional product details and pricing see the Motorization Tab.

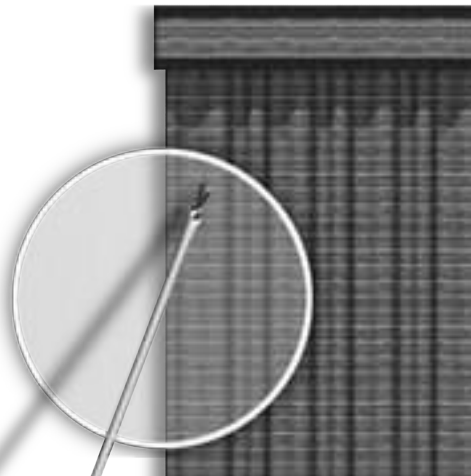
Drape Options: Control Types

STANDARD CORD CONTROL: NATURAL DRAPES



- No charge
- Standard

OPTIONAL WAND CONTROL: NATURAL DRAPES



- No charge
- Optional

Shade Options

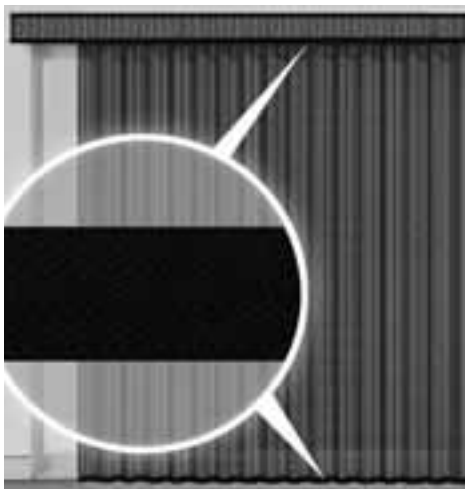
EDGE BANDING AND COLORS: NATURAL SHADES



- For surcharge, see **Options Pricing**
- 1" or 2" fabric banding frames the shade
- Fabric Edge Banding is not available with Anshun, Beikan, Liren, Meilin, Shatian, Taima, Terrestrial, Wuxi and Zishan
- Fabric Edge Banding not available on Deco-Trim or Deco-Pocket hems, Angle Top Shades, Cut-Outs, or with Hold-down Brackets
- Deco-Trim valance may be ordered with Fabric Edge Banded shades, but this valance will not have Fabric Edge Banding
- See chart for colors

2" EDGE BANDING	NATURAL SHADES	NATURAL DRAPES
Black 1000	x	x
Bordeaux 2000	x	
Chocolate 1005	x	x
Cocoa 1001	x	x
Dark Beige 1003	x	x
Denim 2002	x	
Duck White 1006	x	x
Maroon 1004	x	x
Toffee 1002	x	x
Wheat 1009	x	x
Briar Cocoa 3005	x	
Briar Toffee 3006	x	
Infinity Butterscotch 3001	x	
Infinity Moss 3002	x	
Infinity Pompeii 3000	x	
Serpentine Cocoa 3003	x	
Serpentine Toffee 3004	x	
1" EDGE BANDING	NATURAL SHADES	NATURAL DRAPES
Black 7000	x	x
Chocolate 7006	x	x
Cocoa 7001	x	x
Dark Beige 7005	x	x
Duck White 7007	x	x
Maroon 7004	x	x
Moss 7009	x	x
Toffee 7002	x	x
Wheat 7010	x	x

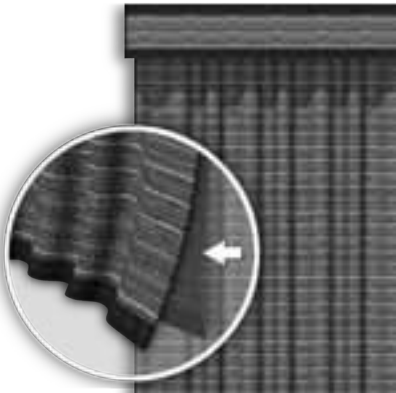
EDGE BANDING AND COLORS: NATURAL DRAPES



- 1" or 2" colors available on top and bottom of drapes: **No charge**
- Optional 1" or 2" colors available on sides of drapes sides: **No charge**
- 1" Edge banding of same color will be on top and bottom edge of valance
- Use above chart for colors

Shade Options

LINERS: NATURAL SHADES AND NATURAL DRAPES



- For surcharge, see Price Charts
- Liners are an 80/20 poly/cotton blend
- Available up to 96" wide on shades and 192" on drapes

**Privacy Liner colors available
(same color front and back):**

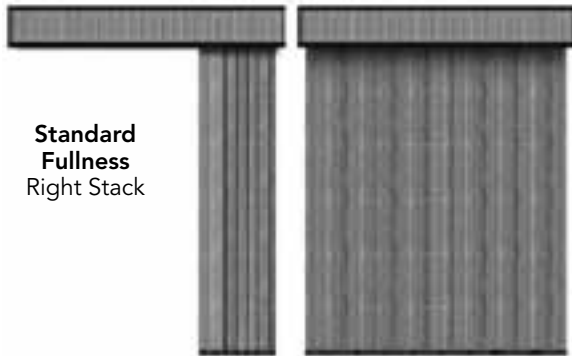
- Black Coffee0632
- Cocoa0297
- Tan0093
- White0417

**Room-darkening Liner colors available
(neutral to street, color to material side)*:**

- Black Coffee5632
- Cocoa5297
- Tan5093

* Liner reversal available on shades only.

FULLNESS: NATURAL DRAPES



Standard Fullness
Right Stack



60% Fullness
Right Stack

- For surcharge, see Price Charts
- Standard fullness (when closed, waves slightly)
- 60% fullness (when closed, features drapery-like appearance)

Shade Options

BOTTOM UP/TOP DOWN: NATURAL SHADES



- **For surcharge, see Options Pricing**
- Allows shades to be raised from the bottom up like a conventional shade, or from the top down
- Provides privacy while still allowing light in from the top of the window
- Ideal for bedrooms
- Fabric Edge Banding, Cut-outs and liner options available
 - Liner recommended for valances
- Right control will raise the bottom; left control will lower the top (standard control locations only)
- Not available with Looped Roman, Angle Top Shades, Continuous-loop Lift or Corner Shades
- Available as Multiple Shades on One Headrail (maximum width of all shades 144")
- 4" seclusion strip will be applied on blinds that are inside mount to conceal the headrail componentry (N/A on outside mount)
- Available with all valance options

CUT-OUTS: NATURAL SHADES



- **For surcharge, see Options Pricing**
- Available with Standard Roman Shades and Old Style Roman Shades
- Cut-outs on the side edge of the shade may be (Diagram A):
 - up to 6" inward from the side edge
 - located anywhere along the side edge
 - any height
- Cut-outs on the bottom edge of the shade may be (Diagram B):
 - up to 5" upward from the bottom edge
 - located anywhere along the bottom edge
 - any width
- Hold-down Brackets not available
- Fabric Edge Banding not available
- Deco-Finish Hems, Deco-Pocket Hems and Wood Hem Bars not available
- Diagram preferred, but not required

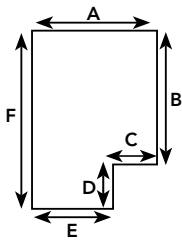


Diagram A

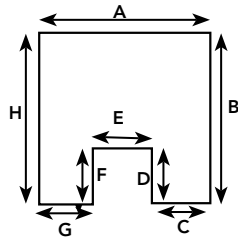
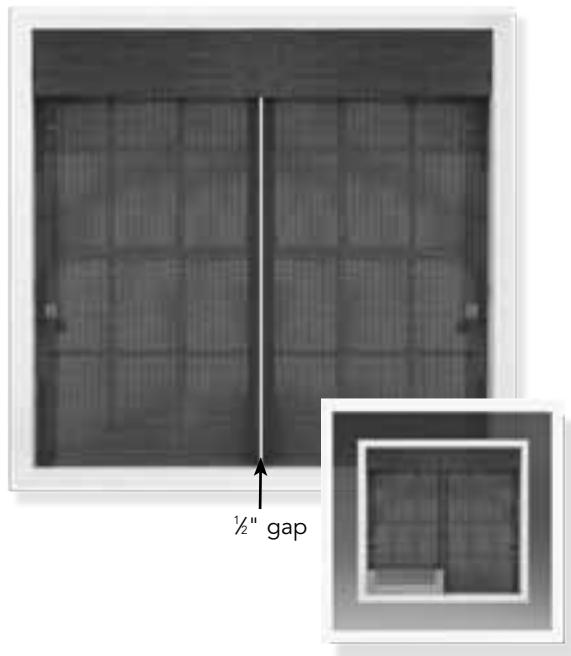


Diagram B

Shade Options

MULTIPLE SHADES ON ONE HEADRAIL: NATURAL SHADES



For surcharges, see Options Pricing

How to Measure

1. Measure overall width of area to be covered
2. Measure width of the area each shade is to cover; measure and specify left shade first, continuing to the right
Note: minimum of 1/2" between shades for operating clearance
3. Total width of all shades, plus clearance (gap), must equal the overall headrail width
4. Use standard inside or outside measuring directions for height
5. For patio doors, measure height to within 1" of the floor either from the ceiling or a point high enough above door to provide clearance; cords should be on outside edges of shades; outside mount (wall) installation is recommended for patio doors

NOTES:

- Shades operate separately
- Controls can be on the right or left at no charge
 - Standard for two on one headrail: Left panel – left control and right panel – right control
 - Standard for three on one headrail: Left panel – left control; middle panel – right control; and right panel – right control
- Liner options available
- Fabric Edge Banding is available – will be attached around each panel
- Shades up to the maximum material width will have a continuous valance (see Shade Style and Option Availability Grid)
- Shades over maximum material width will have a valance with each panel which are butted in between each panel gap

Shade Options

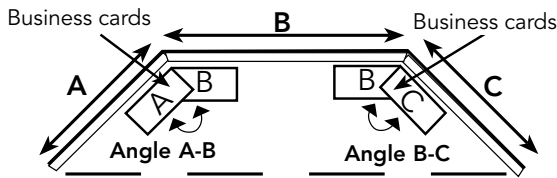
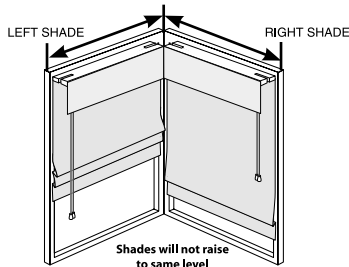
BAY AND CORNER WINDOWS

- Available on Standard Roman and Old Style Roman shades
- Corner shades are used to butt two shades together in a corner window
- Pull cords can be on the right or left side of each shade; locating cords opposite of the corner is recommended
- Depending on the angle, some corner shades cannot be raised to the same height
- Corner shades not available with Hold-down brackets, Bottom Up/Top Down, Continuous Cord Loop control, Looped Roman shades and Multiple Shades on One Headrail

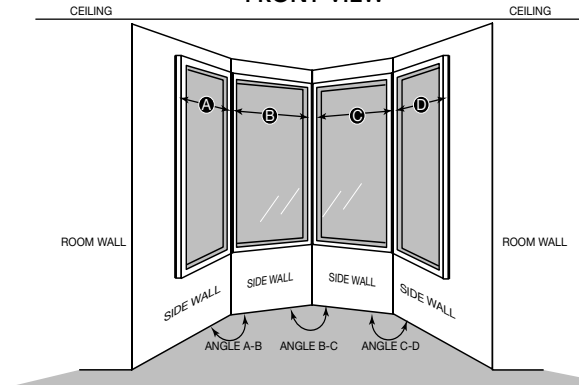
- Horizontal pattern alignment between shades cannot be guaranteed
- Price as standard shades, no additional surcharge
- Headrails will not be mitered
- Valances will not be mitered

NOTE: Manufacturer will take appropriate deduction for corner/bay windows. If deductions are not required, do not order as corner/bay.

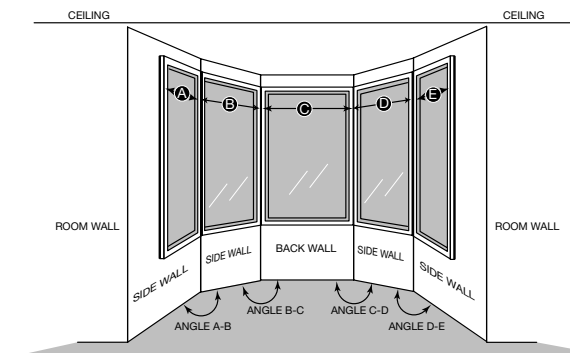
Measuring Information



FRONT VIEW



FRONT VIEW



Corner Window

Measure: Width of each window from corner to the point you would like to cover.

Three-sided Bay Window

Measure:

- A & C: Width of side windows from the corners to the point you would like the blind to cover.
- B: Width of the center window from corner to corner.
- Angle A-B: Angle between windows (A) and (B).
- Angle B-C: Angle between windows (B) and (C).

Measure bay angle using protractor or angle finder. Or use two business cards in bay corner as illustrated and fax to customer service.

Four-sided Bay Window

Measure:

- A & D: Width of side windows from the corners to the point you would like the blind to cover.
- B & C: Width of each window from corner to corner.
- Angle A-B: Angle between windows (A) and (B).
- Angle B-C: Angle between windows (B) and (C).
- Angle C-D: Angle between windows (C) and (D).

Measure bay angle using protractor or angle finder. Or use two business cards in bay corner as illustrated and fax to customer service.

Five-sided Bay Window

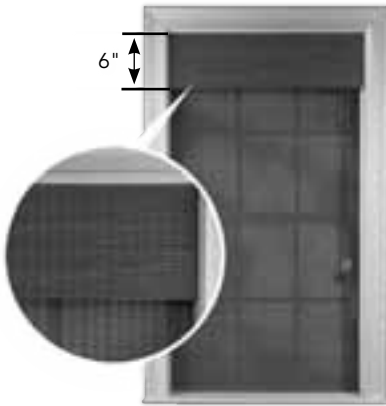
Measure:

- A & E: Width of side windows from the corners to the point you would like the blind to cover.
- B, C & D: Width of each center window from corner to corner.
- Angle A-B: Angle between windows (A) and (B).
- Angle B-C: Angle between windows (B) and (C).
- Angle C-D: Angle between windows (C) and (D).
- Angle D-E: Angle between windows (D) and (E).

Measure bay angle using protractor or angle finder. Or use two business cards as illustrated and fax to customer service.

Shade Options

VALANCE OPTIONS: NATURAL SHADES



- Standard Cord Controls
 - 6" Valance standard – **No Charge**
 - 9" Valance is optional – **Surcharge**
 - No Valance is optional; unfinished headrail and hardware are visible
- Continuous-loop Lift and Motorized Lift
 - 9" Valance standard (6" Valance is not available)
- 9" Valance recommended for longer length shades for improved stack aesthetics
- Edge Banding will be applied to the sides and bottom of the valance if option is chosen for complete finished shades
- Liner can be added to the 6" or 9" Valance (not available on the Deco-Finish Valance) – must specify Privacy or Room Darkening liner and color; see price chart for surcharge
- Valance returns are standard on outside mount; available upon request on inside mount shades
 - Standard Control: 1½"
 - Continuous-loop Lift and Motorized Lift: 2¼"
 - Natural Drapes: 6"
- Special shade valance return widths of 1½" to 3½" are available upon request
- No special shade valance return lengths, liner or edge banding available

VALANCE ONLY: NATURAL SHADES



- **For surcharge, see Price Charts**

A separate valance can be ordered for use alone or to complement other window treatments. Valances over maximum material width will be butted. See Shade Style and Option Availability chart for maximum fabric width.

The valance material has a horizontal orientation attached to a headrail and includes mounting brackets (standard, ceiling, or projection brackets). Fabric Edge Banding is available for a surcharge.

Shade Options

DECO-TRIM VALANCE OR HEMS: NATURAL SHADES

Seascape



This design is scaled to the width of the shade.

Dentil



This design will repeat with the width of the shade.

Cathedral



This design will repeat with the width of the shade.

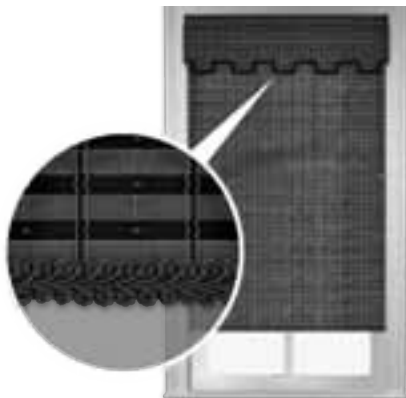
Horizon



This design is scaled to the width of the shade.

- See Price Charts for surcharge
- Distinctive Valance and Hem designs with accent Gimp
- Deco-Trim Valance or Hem designs are cut into the valance or hem of the shade to a depth of approximately 2½" allowing light through at the bottom of the shade
 - If complete privacy and light filtering are desired, add 2½" to the ordered height
- Must select accent gimp with Deco Valance or Hem
- Hem not available with Cut-out or Anshun, Liren, Shatian and Wuxi styles

ACCENT GIMP: NATURAL SHADES



Black	156	Dark Beige.....	350
Brown	554	Maroon	360
Chocolate	04	Toffee.....	296
Cream.....	715		

- If Deco-Finish hems or valances or deco pocket hems are selected, gimp trim option must be selected

Shade Options

DECO-POCKET HEM: NATURAL SHADES

DENTIL – Hem with Accent Rod



- **See Price Charts for surcharge**
- Distinctive hem designs with decorative accent rod and accent gimp
- 5/8" diameter metal rods with a classic ball finial, cut to width
- Deco-Pocket Hems also available without accent rod to add your own decorative hardware
- Deco-Pocket Hem designs are cut into the hem of the shades to a depth of approximately 4½", allowing light through the bottom of the shades
 - If complete privacy and light filtering are desired, add 4½" to the ordered height
- Must select accent gimp with Deco-Trim Valance or Hem
- Deco-Pocket Hem with Accent Rod: maximum width 72"
- Not available with Cut-out or Anshun, Liren, Shatian and Wuxi styles

CATHEDRAL – Hem with Accent Rod



Rod Colors available:

- Espresso 84
- Satin Nickel..... 59

SIZE CONSIDERATIONS FOR ALL VALANCE AND HEM OPTIONS

	WIDTH		HEIGHT	
	Min	Max	Min	Max
Standard Roman	10"	96"* 72" with Accent Rod	10" 16" with Deco Pocket Hem	120"
Old Style Roman				
Looped Roman	12" exact			
Bottom Up/Top Down	14" exact			
Continuous-loop	24" exact			108"
Multiple Shades on One Headrail	20½" exact	144"	10"	See Price Charts

*Except Anshun, Shatian, Wuxi: maximum width 72".

WOOD HEM BAR: NATURAL SHADES



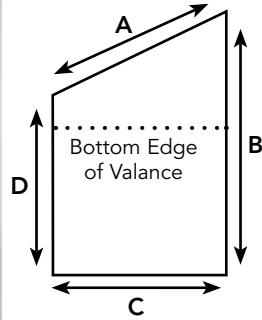
- **See Price Charts for surcharge**
- Decorative Wood Hem Bar adds a finishing touch
- Two popular finishes coordinate with the wood valances and cornices
- Available with Hold-down Brackets – must be specified at time of order
- Not available with Cut-out

Colors Available:

- Dark Cherry 1316
- Honey Maple..... 1013

Shade Options

NATURAL SHADES: ANGLE TOP



- For surcharges, see **Options Pricing**
- For Angle Top Shades supply all four measurements (A, B, C, D) as shown in the diagram below
- Shades will raise only to the bottom edge of the valance; the upper angled portion of the shades and valance cannot be opened and closed
- Not available with Old Style Roman Shades, Looped Roman shades, Bottom Up/Top Down, Continuous-loop Lift or Edge Banding
- 6" and 9" standard valance only
- Valance returns are not available
- Valance requires gimp trim at the top edge by the headrail (A); choose style and color from page 15
- Control location on low side only

Minimum Width:	18" (outside mount) 18½" (inside mount)
Maximum Straight Width:	60" (outside mount) 60½" (inside mount)
Minimum Height:	10"
Minimum Height (short side):	7½"
Maximum Height:	120"

General Information

SUGGESTED PRIVACY AND ROOM DARKENING LINER COLOR COORDINATION

Style Name	Color Name and Color Number	Privacy Liner Color and Number	Room Darkening Liner Color and Number
Amour	Radiant 00001	Cocoa 0297	Cocoa 5297
	Regal 00002	Cocoa 0297	Cocoa 5297
	Royal 00003	Cocoa 0297	Cocoa 5297
Anshun	Umber 01156	Tan 0093	Tan 5093
Anyi	Bleached 21298	White 0417	Tan 5093
	Fudge 21001	Cocoa 0297	Cocoa 5297
	Olive 21002	Tan 0093	Tan 5093
	Rye 21003	Tan 0093	Tan 5093
	Taupe 21011	Tan 0093	Tan 5093
Ascot	Cashmere 29001	Tan 0093	Tan 5093
	Kersey 29002	Cocoa 0297	Cocoa 5297
Baisha	Sienna 27685	Cocoa 0297	Cocoa 5297
Beikan	Amber 53086	Tan 0093	Tan 5093
	Organic 53084	Cocoa 0297	Cocoa 5297
Chencun	Merlot 60845	Cocoa 0297	Cocoa 5297
	White 60417	White 0417	Tan 5093
Dalan	Amaretto 42256	Tan 0093	Tan 5093
	Saddle 42305	Cocoa 0297	Cocoa 5297
Escape	Forest 25601	Cocoa 0297	Cocoa 5297
	Island 25602	Tan 0093	Tan 5093
Heibei	Amber 30400	Tan 0093	Tan 5093
Inan	Umber 04858	Tan 0093	Tan 5093
Lipo	Agate 06701	Black Coffee 0632	Black Coffee 5632
	Ambrosia 06702	Tan 0093	Tan 5093
	Earthtones 06793	Cocoa 0297	Cocoa 5297
	Java 06703	Black Coffee 0632	Black Coffee 5632
Liren	Butternut 40263	Tan 0093	Tan 5093
Lutan	Pecan 62403	Tan 0093	Tan 5093
Majian	Driftwood 32445	Tan 0093	Tan 5093
	Natural 32864	Tan 0093	Tan 5093
	Toffee 32296	Tan 0093	Tan 5093
	Truffle 32402	Cocoa 0297	Cocoa 5297
Meilin	Camel 51086	Tan 0093	Tan 5093
	Chroma 51201	Black Coffee 0632	Black Coffee 5632
	Henna 51222	Cocoa 0297	Cocoa 5297
	Onyx 51227	Black Coffee 0632	Black Coffee 5632
Ningtu	Tortoise 09859	Tan 0093	Tan 5093
Serenity	Golden 11501	Tan 0093	Tan 5093
	Haze 11502	White 0417	Tan 5093
Shanghai	Oak 12864	Tan 0093	Tan 5093
Shatian	Raisin 52337	Cocoa 0297	Cocoa 5297
	Umber 52878	Tan 0093	Tan 5093
Taima	Chestnut 44010	Cocoa 0297	Cocoa 5297
Tangjia	Wheat 41710	Tan 0093	Tan 5093
Terrestrial	Alpaca 28001	Tan 0093	Tan 5093
	Angora 28002	White 0417	Tan 5093
	Camel 28003	Tan 0093	Tan 5093
Toushan II	Mocha 63759	Cocoa 0297	Cocoa 5297
	Taupe 63659	Tan 0093	Tan 5093
Wuxi	Zebra 54111	Tan 0093	Tan 5093
Yunnan	Chocolate 19584	Cocoa 0297	Cocoa 5297
Zishan	Auburn 43689	Cocoa 0297	Cocoa 5297
	Stardust 43731	Tan 0093	Tan 5093
	Toast 43734	Tan 0093	Tan 5093

****NOTE:** The Privacy Liner is colored front and back; please order White if a neutral color is needed facing the street. All Room Darkening Liner colors are neutral facing the street. Room Darkening liners can be reversed upon request; when reversed, the colored side of the liner will face the street with the neutral side of the liner facing the shades.

General Information

STACK CHARTS

NATURAL SHADES STACK CHART

Control Type	Approximate Stack Height	
	No Liner	With Liner
Standard Cord Lift	8¾" to 14"	8¾" to 15"
Continuous Loop Lift	10" to 16"	10" to 17"
Motorized Lift	8¾" to 14"	8¾" to 15"

NOTE: For shades, stack height is measured from the top of the headrail to the lowest point of the shades when completely raised. Stack heights are approximate and will vary by material.

For drapes, stack width is measured from the outside of the drapes to the inside of the drapes. Stack widths are approximate and will vary by material.

NATURAL DRAPES STANDARD FULLNESS STACK CHART

Width of Shade Up to	Cord Control				Wand Control			
	Single Stack		Split Stack, Each Side		Single Stack		Split Stack, Each Side	
	Minimum Range Thinner Fabrics	Maximum Range Thicker Fabrics	Minimum Range Thinner Fabrics	Maximum Range Thicker Fabrics	Minimum Range Thinner Fabrics	Maximum Range Thicker Fabrics	Minimum Range Thinner Fabrics	Maximum Range Thicker Fabrics
27"	3 - 5"	5 - 7"	2 - 3"	3 - 4"	6½ - 8"	8 - 10"	5½ - 6"	6 - 7"
40"	5 - 7"	7 - 10"	3 - 4"	4 - 5"	8 - 10"	10 - 13"	6 - 7"	7 - 8"
51"	7 - 9"	10 - 13"	4 - 4½"	5 - 7"	10 - 12"	13 - 16"	7 - 8"	8 - 10"
63"	9 - 11"	13 - 16"	4½ - 5½"	7 - 8"	12 - 14"	16 - 19"	8 - 9"	10 - 11"
75"	11 - 12"	16 - 18"	5 - 6½"	8 - 9"	14 - 15"	19 - 21"	9 - 9½"	11 - 12"
88"	12 - 14"	18 - 21"	6½ - 7½"	9 - 11"	15 - 17"	21 - 24"	9½ - 10½"	12 - 14"
102"	14 - 17"	21 - 25"	7½ - 8½"	11 - 13"	17 - 20"	24 - 28"	10½ - 12"	14 - 16"
115"	17 - 19"	25 - 28"	8½ - 9½"	13 - 14"	20 - 22"	28 - 31"	12 - 12½"	16 - 17"
128"	19 - 21"	28 - 31"	9½ - 10½"	14 - 16"	22 - 24"	31 - 34"	12½ - 14"	17 - 19"
141"	21 - 23"	31 - 34"	10½ - 11½"	16 - 17"	24 - 26"	34 - 37"	14 - 14½"	19 - 20"
157"	23 - 25"	34 - 38"	11½ - 12½"	17 - 19"	26 - 28½"	37 - 41"	14½ - 16"	20 - 22"
170"	25 - 27"	38 - 41"	12½ - 13½"	19 - 21"	28½ - 30½"	41 - 44"	16 - 17½"	22 - 24"
183"	27 - 29"	41 - 44"	13½ - 14½"	21 - 22"	30½ - 32½"	44 - 47"	17½ - 18"	24 - 25"
192"	29 - 31"	44 - 46"	14½ - 15½"	22 - 23"	32½ - 34"	47 - 49½"	18 - 19"	25 - 26½"

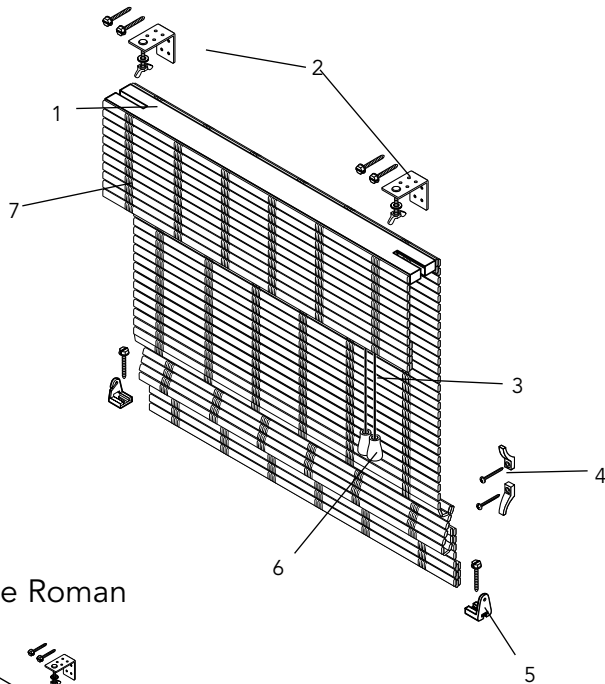
NATURAL DRAPES 60% FULLNESS STACK CHART

Width of Shade Up to	Cord Control				Wand Control			
	Single Stack		Split Stack, Each Side		Single Stack		Split Stack, Each Side	
	Minimum Range Thinner Fabrics	Maximum Range Thicker Fabrics	Minimum Range Thinner Fabrics	Maximum Range Thicker Fabrics	Minimum Range Thinner Fabrics	Maximum Range Thicker Fabrics	Minimum Range Thinner Fabrics	Maximum Range Thicker Fabrics
27"	4½ - 7"	7 - 12"	2 1/2 - 4"	4 - 6"	8 - 11"	10 - 14"	6 - 7"	7 - 9"
40"	7 - 11"	12 - 16"	4 - 5"	6 - 8"	11 - 14"	14 - 19"	7 - 9"	9 - 11"
51"	11 - 14"	16 - 20"	5 - 7"	8 - 10"	14 - 17"	19 - 23"	9 - 10"	11 - 13"
63"	14 - 16"	20 - 25"	7 - 9"	10 - 13"	17 - 20"	23 - 28"	10 - 12"	13 - 16"
75"	16 - 20"	25 - 29"	9 - 10"	13 - 15"	20 - 23"	28 - 32"	12 - 13"	16 - 18"
88"	20 - 23"	29 - 35"	10 - 12"	15 - 17"	23 - 26"	32 - 37"	13 - 15"	18 - 20"
102"	23 - 27"	35 - 39"	12 - 13"	17 - 20"	26 - 29"	37 - 42"	15 - 17"	20 - 23"
115"	27 - 30"	39 - 44"	13 - 15"	20 - 22"	29 - 33"	42 - 47"	17 - 18"	23 - 26"
128"	30 - 33"	44 - 49"	15 - 17"	22 - 25"	33 - 36"	47 - 52"	18 - 20"	26 - 28"
141"	33 - 36"	49 - 54"	17 - 18"	25 - 27"	36 - 40"	52 - 58"	20 - 22"	28 - 30"
157"	36 - 40"	54 - 60"	18 - 21"	27 - 30"	40 - 44"	58 - 64"	22 - 23"	30 - 34"
170"	40 - 44"	60 - 65"	21 - 22"	30 - 33"	44 - 47"	64 - 69"	23 - 25"	34 - 36"
183"	44 - 47"	65 - 70"	22 - 24"	33 - 35"	47 - 50"	69 - 73"	25 - 27"	36 - 38"
192"	47 - 49"	70 - 74"	24 - 25"	35 - 37"	50 - 53"	73 - 77½"	27 - 28"	38 - 40½"

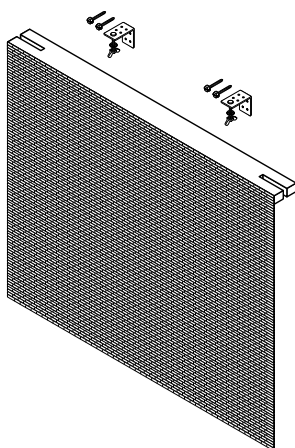
General Information

STANDARD ROMAN, OLD STYLE ROMAN, LOOPED SHADE PRODUCT DETAIL: NATURAL SHADES

Standard Roman



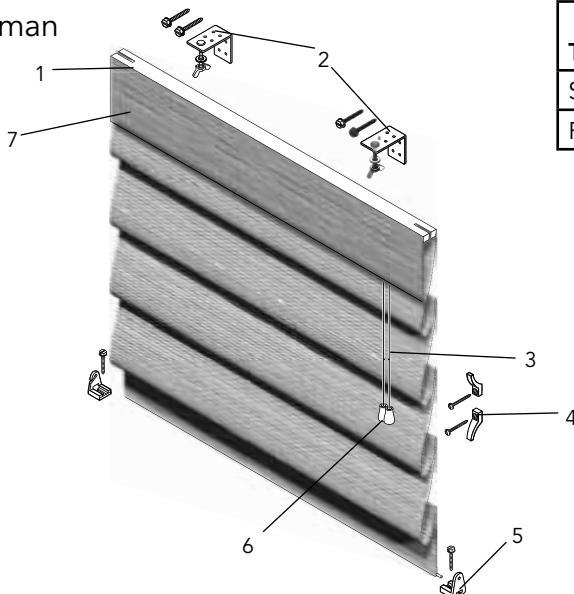
Old Style Roman



Standard cord control (lift cords are behind the shade; outside mount shown)

1. **Hardwood Headrail**
 - Made from sustainable hardwood resources
2. **Standard Installation Brackets**
 - Steel
3. **Lift Cord**
 - Color-coordinated 1.8mm cord with filler for durability
4. **Safety Cord Cleat (optional)**
 - Prevents cord from twisting and becoming a potential hazard
5. **Hold-down Brackets (optional)**
 - Secure bottomrail to door, wall, or window sill; must be specified at time of order
6. **Wood Tassel**
 - Color coordinated to the shade
7. **Valance**
 - 6" valance standard on Standard and Looped Roman
 - No valance on Old Style Roman

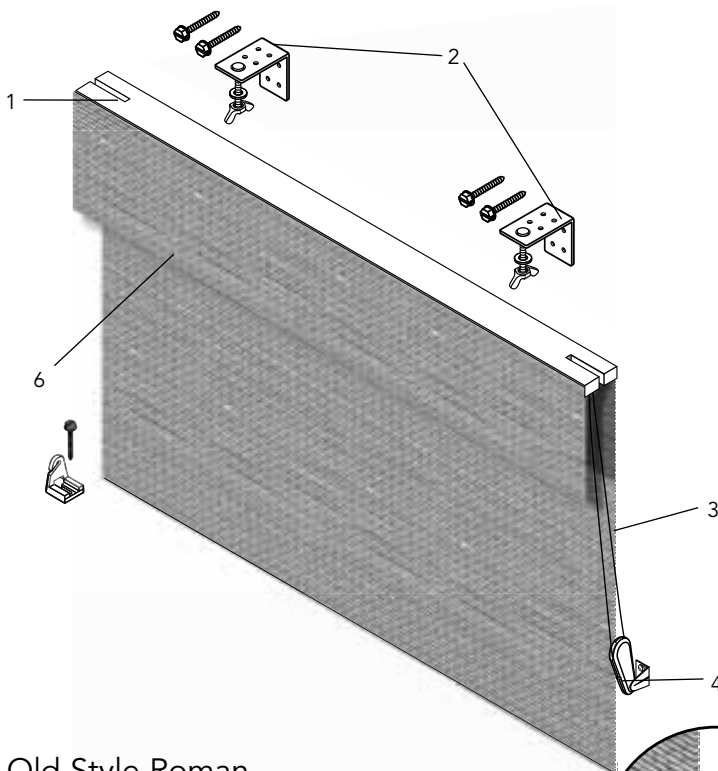
Looped Roman



Type of Mounting Bracket	Standard or Deco-Finish Valances
Standard and Ceiling Brackets	2½"
Projection Brackets	3½"

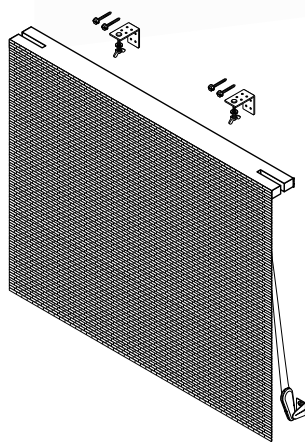
General Information

CONTINUOUS-LOOP LIFT CONTROL PRODUCT DETAIL: NATURAL SHADES



1. **Hardwood Headrail**
 - Made from sustainable hardwood resources
2. **Standard Installation Brackets**
 - Steel
3. **Continuous-loop Lift Cord**
 - Color-coordinated to the shade
 - Length stays consistent regardless of shade height
4. **Tension Device** (cord tension shown; chain tension shown on page 7)
 - Prevents cord from twisting and becoming a potential hazard
5. **Hold-down Brackets** (optional)
 - Secure bottomrail to door, wall, or window sill; must be specified at time of order
6. **Valance**
 - 9" valance standard
 - No valance on Old Style Roman

Old Style Roman



Continuous-loop is behind the shade

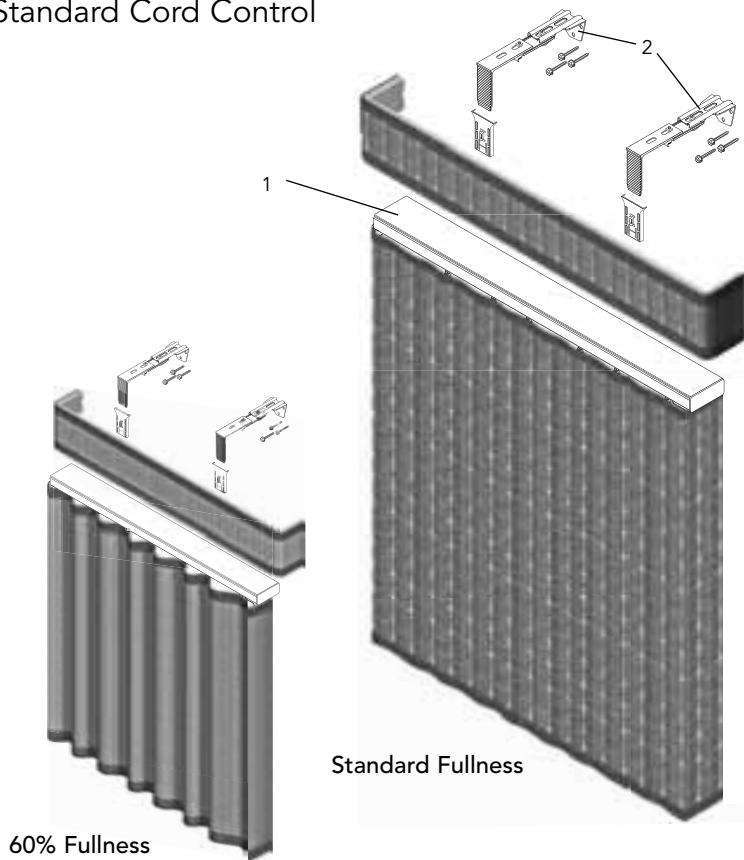
Full Recess Depth

Type of Mounting Bracket	Standard or Deco-Finish Valances
Standard and Ceiling Brackets	3 ³ / ₈ "
Projection Brackets	4 ³ / ₈ "

General Information

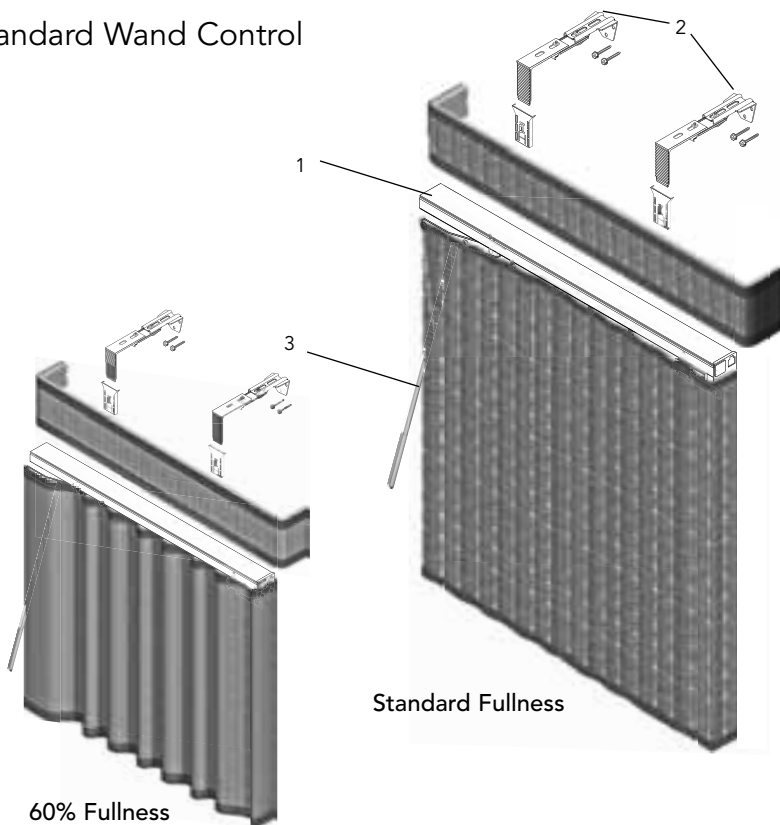
CONTROL OPTIONS PRODUCT DETAIL: NATURAL DRAPES

Standard Cord Control



1. Aluminum Headrail
 - Rust Resistant
2. Headrail and Valance Installation Brackets

Standard Wand Control



1. Aluminum Headrail
 - Rust Resistant
2. Headrail and Valance Installation Brackets
3. Slimline Wand
 - Hangs from back of shade

NOTE: Natural materials are vertically oriented on the Natural Drapes and Valance.

Price Charts: Natural Shades

PRICE GROUP A: ANYI

Standard Roman/Old Style Roman

HEIGHT UP TO	WIDTH UP TO →												
	22"	26"	30"	36"	42"	48"	60"	72"	84"	96"	108"	120"	144"
34"	\$140	153	166	192	203	215	261	304	371	437	467	495	557
42"	152	169	183	208	223	239	291	339	410	482	516	550	618
48"	161	178	198	223	240	258	313	366	443	518	557	596	674
54"	171	190	208	239	258	280	336	395	477	555	600	645	733
60"	183	201	222	256	276	298	358	424	507	592	640	687	781
66"	192	213	235	270	294	318	384	453	541	629	681	733	840
72"	203	224	250	284	310	336	408	482	573	663	721	777	892
84"	223	248	273	316	344	378	455	536	638	742	807	871	1001
96"	244	270	300	347	381	414	505	592	701	815	888	961	1108
108"	267	297	332	368	414	460	544	652	763	892	969	1050	1211
120"	289	323	360	401	448	508	594	713	825	968	1053	1141	1314

OPTIONS: ADD SURCHARGE TO SHADE PRICE

Continuous-Loop Lift System	\$76	77	78	85	87	90	97	108	115	120	129	140	153
Privacy Liner	56	67	82	92	100	113	135	169	191	210	236	265	316
Room Darkening Liner	77	89	107	122	132	150	177	225	253	280	315	350	420
Liner on Valance	14	16	21	22	25	28	33	40	44	48	56	62	74

All material styles available up to 96" wide.

Due to material width sizes, shades to the right of the bold line must be manufactured as Multiple Shades on One Headrail.

Looped Roman

HEIGHT UP TO	WIDTH UP TO →												
	22"	26"	30"	36"	42"	48"	60"	72"	84"	96"	108"	120"	144"
34"	\$180	199	216	250	265	280	339	395	483	567	607	645	723
42"	198	220	237	270	291	311	378	440	534	626	671	715	803
48"	208	232	256	291	313	336	406	476	576	674	725	775	876
54"	222	246	270	311	336	362	436	513	620	722	779	839	954
60"	237	263	289	334	359	388	466	552	659	771	831	893	1016
66"	250	276	306	350	383	414	500	589	704	817	887	954	1091
72"	265	291	324	369	404	436	532	626	745	864	938	1011	1160
84"	291	322	355	410	449	490	591	697	829	964	1048	1132	1302
96"	317	350	391	451	494	537	656	771	912	1058	1154	1249	1438
108"	347	386	431	478	537	600	708	848	992	1160	1261	1366	1574
120"	377	420	468	519	581	661	772	927	1073	1259	1369	1482	1708

OPTIONS: ADD SURCHARGE TO SHADE PRICE

Continuous-Loop Lift System	\$76	77	78	85	87	90	97	108	115	120	129	140	153
Privacy Liner	66	75	89	99	106	121	141	175	197	216	244	271	323
Room Darkening Liner	88	100	117	131	141	161	187	234	264	291	323	360	431
Liner on Valance	14	16	21	22	25	28	33	40	44	48	56	62	74

All material styles available up to 96" wide.

Due to weight limitations, shades to the right of the bold line must be manufactured as multiple shades on one headrail. Shades in the shaded area above must be manufactured as three on one headrail.

	WIDTH UP TO →												
	22"	26"	30"	36"	42"	48"	60"	72"	84"	96"	108"	120"	144"
DECORATIVE OPTIONS SURCHARGES FOR STANDARD, OLD STYLE OR LOOPED ROMAN SHADES: ADD SURCHARGE TO SHADE PRICE													
Deco-trim Valance or Deco-trim Hem	\$76	78	83	85	87	90	94	98	105	109	115	118	126
Deco-Pocket Hem, No Accent Rod	147	153	157	161	167	171	178	188	202	210	220	225	242
Deco-Pocket Hem with Accent Rod	175	182	190	195	200	216	223	231	269	279	305	312	329
Wood Hem Bar	24	25	27	29	32	33	35	36	39	43	49	52	60

Due to weight limitations, shades with Deco-Pocket Hems in the shaded area must be manufactured as Multiple Shades on One Headrail.

Liners are an 80/20 poly/cotton blend and are available up to 96" wide.

Liners available on all specialties.

COLORS

ANYI

Bleached	21298	Rye	21003
Fudge	21001	Taupe	21011
Olive	21002		

Price Charts: Natural Shades

PRICE GROUP B: ESCAPE, HEIBEI, SERENITY

Standard Roman/Old Style Roman

HEIGHT UP TO	WIDTH UP TO →												
	22"	26"	30"	36"	42"	48"	60"	72"	84"	96"	108"	120"	144"
34"	\$141	154	167	193	207	226	265	305	372	438	468	510	616
42"	153	170	188	217	236	261	301	342	411	483	521	577	688
48"	174	193	210	239	264	288	331	373	443	519	577	637	758
54"	180	199	224	253	279	307	356	403	477	556	617	680	804
60"	192	211	236	269	301	331	381	434	514	593	655	720	851
66"	200	224	249	288	316	348	409	467	547	630	695	765	902
72"	211	233	264	304	335	373	434	499	584	663	736	809	951
84"	231	253	289	335	376	413	489	562	651	743	816	894	1043
96"	253	278	315	367	410	455	540	622	718	816	897	983	1154
108"	272	298	338	390	442	493	586	677	776	893	975	1057	1272
120"	294	324	363	414	474	536	633	731	833	969	1054	1142	1388
OPTIONS: ADD SURCHARGE TO SHADE PRICE													
Continuous-Loop Lift System	\$76	77	78	85	87	90	97	108	115	120	129	140	153
Privacy Liner	56	67	82	92	100	113	135	169	191	210	236	265	316
Room Darkening Liner	77	89	107	122	132	150	177	225	253	280	315	350	420
Liner on Valance	14	16	21	22	25	28	33	40	44	48	56	62	74

All material styles available up to 96" wide.

Due to material width sizes, shades to the right of the bold line must be manufactured as Multiple Shades on One Headrail.

Looped Roman

HEIGHT UP TO	WIDTH UP TO →												
	22"	26"	30"	36"	42"	48"	60"	72"	84"	96"	108"	120"	144"
34"	\$181	200	217	251	269	294	345	397	484	568	608	663	801
42"	199	221	243	282	307	340	392	445	535	627	677	750	897
48"	228	249	274	311	342	374	428	484	577	675	750	827	985
54"	235	258	289	330	366	400	464	525	620	723	803	884	1044
60"	247	275	307	349	392	428	496	564	670	772	852	938	1107
66"	261	289	327	374	412	452	533	606	710	818	904	996	1174
72"	275	303	342	396	435	484	564	648	761	865	957	1051	1236
84"	300	330	376	435	486	538	637	731	847	965	1062	1163	1357
96"	330	363	409	477	534	591	701	809	936	1059	1167	1278	1501
108"	355	388	439	506	576	642	762	880	1008	1161	1268	1374	1653
120"	381	421	471	540	616	695	822	950	1083	1260	1370	1483	1806
OPTIONS: ADD SURCHARGE TO SHADE PRICE													
Continuous-Loop Lift System	\$76	77	78	85	87	90	97	108	115	120	129	140	153
Privacy Liner	66	75	89	99	106	121	141	175	197	216	244	271	323
Room Darkening Liner	88	100	117	131	141	161	187	234	264	291	323	360	431
Liner on Valance	14	16	21	22	25	28	33	40	44	48	56	62	74

All material styles available up to 96" wide.

Due to weight limitations, shades to the right of the bold line must be manufactured as multiple shades on one headrail. Shades in the shaded area above must be manufactured as three on one headrail.

	WIDTH UP TO →												
	22"	26"	30"	36"	42"	48"	60"	72"	84"	96"	108"	120"	144"
DECORATIVE OPTIONS SURCHARGES FOR STANDARD, OLD STYLE OR LOOPED ROMAN SHADES: ADD SURCHARGE TO SHADE PRICE													
Deco-trim Valance or Deco-trim Hem	\$76	78	83	85	87	90	94	98	105	109	115	118	126
Deco-Pocket Hem, No Accent Rod	147	153	157	161	167	171	178	188	202	210	220	225	242
Deco-Pocket Hem with Accent Rod	175	182	190	195	200	216	223	231	269	279	305	312	329
Wood Hem Bar	24	25	27	29	32	33	35	36	39	43	49	52	60

Due to weight limitations, shades with Deco-Pocket Hems in the shaded area must be manufactured as Multiple Shades on One Headrail.

Liners are an 80/20 poly/cotton blend and are available up to 96" wide.

Liners available on all specialties.

COLORS

ESCAPE		HEIBEI		SERENITY*	
Forest	25601	Amber	30400	Golden	11501
Island	25602			Haze	11502

* Not available with Natural Drape.

Price Charts: Natural Shades

PRICE GROUP C: CHENCUN, LIPO, LUTAN, NINGTU, YUNNAN

Standard Roman/Old Style Roman

HEIGHT UP TO	WIDTH UP TO →												
	22"	26"	30"	36"	42"	48"	60"	72"	84"	96"	108"	120"	144"
34"	\$143	159	181	214	233	253	296	338	398	452	511	570	689
42"	168	185	210	244	264	292	336	383	449	519	583	645	772
48"	196	214	235	269	295	321	368	416	493	576	645	712	847
54"	201	223	248	284	313	344	398	451	534	620	690	760	900
60"	212	237	264	302	336	368	427	484	576	662	734	806	951
66"	226	248	278	321	353	391	459	522	612	701	777	855	1010
72"	237	262	295	339	376	416	484	558	653	743	824	905	1064
84"	259	284	324	374	419	463	548	628	730	828	913	999	1167
96"	282	311	351	410	460	507	602	698	805	908	1004	1098	1292
108"	305	334	379	437	495	552	655	758	868	981	1090	1182	1423
120"	329	358	406	464	532	598	708	817	930	1055	1178	1265	1554

OPTIONS: ADD SURCHARGE TO SHADE PRICE

Continuous-Loop Lift System	\$76	77	78	85	87	90	97	108	115	120	129	140	153
Privacy Liner	56	67	82	92	100	113	135	169	191	210	236	265	316
Room Darkening Liner	77	89	107	122	132	150	177	225	253	280	315	350	420
Liner on Balance	14	16	21	22	25	28	33	40	44	48	56	62	74

All material styles available up to 96" wide.

Due to material width sizes, shades to the right of the bold line must be manufactured as Multiple Shades on One Headrail.

Looped Roman

HEIGHT UP TO	WIDTH UP TO →												
	22"	26"	30"	36"	42"	48"	60"	72"	84"	96"	108"	120"	144"
34"	\$185	205	237	278	302	329	384	441	516	588	667	741	896
42"	217	242	273	317	343	379	438	497	585	676	758	839	1004
48"	253	278	305	349	383	417	480	541	641	748	839	925	1100
54"	263	291	324	368	408	448	516	587	693	806	898	989	1171
60"	277	307	343	393	438	480	555	630	748	860	952	1049	1236
66"	292	324	363	417	461	507	595	679	794	911	1011	1112	1313
72"	307	338	383	442	487	541	630	726	851	964	1071	1176	1383
84"	335	368	420	485	546	601	712	817	947	1076	1188	1299	1518
96"	367	405	459	534	597	659	783	906	1046	1181	1303	1429	1679
108"	397	435	490	568	642	718	853	985	1128	1276	1419	1536	1850
120"	430	467	529	602	689	777	919	1062	1211	1372	1531	1646	2021

OPTIONS: ADD SURCHARGE TO SHADE PRICE

Continuous-Loop Lift System	\$76	77	78	85	87	90	97	108	115	120	129	140	153
Privacy Liner	66	75	89	99	106	121	141	175	197	216	244	271	323
Room Darkening Liner	88	100	117	131	141	161	187	234	264	291	323	360	431
Liner on Balance	14	16	21	22	25	28	33	40	44	48	56	62	74

All material styles available up to 96" wide.

Due to weight limitations, shades to the right of the bold line must be manufactured as multiple shades on one headrail. Shades in the shaded area above must be manufactured as three on one headrail.

	WIDTH UP TO →												
	22"	26"	30"	36"	42"	48"	60"	72"	84"	96"	108"	120"	144"
DECORATIVE OPTIONS SURCHARGES FOR STANDARD, OLD STYLE OR LOOPED ROMAN SHADES: ADD SURCHARGE TO SHADE PRICE													
Deco-trim Valance or Deco-trim Hem	\$76	78	83	85	87	90	94	98	105	109	115	118	126
Deco-Pocket Hem, No Accent Rod	147	153	157	161	167	171	178	188	202	210	220	225	242
Deco-Pocket Hem with Accent Rod	175	182	190	195	200	216	223	231	269	279	305	312	329
Wood Hem Bar	24	25	27	29	32	33	35	36	39	43	49	52	60

Due to weight limitations, shades with Deco-Pocket Hems in the shaded area must be manufactured as Multiple Shades on One Headrail.

Liners are an 80/20 poly/cotton blend and are available up to 96" wide.

Liners available on all specialties.

COLORS

CHENCUN	LIPO	LUTAN	YUNNAN
Merlot 60845	Agate 06701	Pecan 62403	Chocolate 19584
White 60417	Ambrosia 06702	NINGTU	
	Earthtones 06793	Tortoise 09859	
	Java 06703		

Price Charts: Natural Shades

PRICE GROUP D: ASCOT, INAN, SHANGHAI, TERRESTRIAL, TOUSHAN II

Standard Roman/Old Style Roman

HEIGHT UP TO	WIDTH UP TO →												
	22"	26"	30"	36"	42"	48"	60"	72"	84"	96"	108"	120"	144"
34"	\$198	217	234	271	288	303	370	430	524	617	660	700	787
42"	215	239	258	295	315	339	412	479	581	681	729	778	873
48"	227	251	279	315	340	366	442	517	627	732	788	844	953
54"	242	268	295	339	366	395	475	559	675	785	849	912	1038
60"	259	285	313	362	390	421	507	600	718	837	905	972	1105
66"	271	301	333	382	416	450	542	641	765	891	965	1038	1188
72"	288	316	352	402	439	475	578	681	811	939	1020	1099	1262
84"	315	350	386	446	487	535	644	758	902	1050	1141	1232	1416
96"	345	382	424	489	538	586	715	837	991	1153	1255	1359	1567
108"	377	420	468	520	586	651	770	923	1080	1262	1371	1486	1713
120"	410	457	510	566	633	719	840	1009	1167	1369	1490	1614	1858
OPTIONS: ADD SURCHARGE TO SHADE PRICE													
Continuous-Loop Lift System	\$76	77	78	85	87	90	97	108	115	120	129	140	153
Privacy Liner	56	67	82	92	100	113	135	169	191	210	236	265	316
Room Darkening Liner	77	89	107	122	132	150	177	225	253	280	315	350	420
Liner on Balance	14	16	21	22	25	28	33	40	44	48	56	62	74

All material styles available up to 96" wide.

Due to material width sizes, shades to the right of the bold line must be manufactured as Multiple Shades on One Headrail.

Looped Roman

HEIGHT UP TO	WIDTH UP TO →												
	22"	26"	30"	36"	42"	48"	60"	72"	84"	96"	108"	120"	144"
34"	\$255	281	305	352	375	395	480	559	682	802	859	912	1023
42"	280	310	335	382	412	441	535	623	755	886	949	1013	1135
48"	295	328	362	412	442	475	574	674	815	953	1025	1097	1239
54"	313	347	382	441	475	513	615	726	877	1021	1102	1187	1349
60"	336	372	409	472	509	549	659	780	933	1090	1176	1264	1437
66"	352	390	434	495	541	586	707	833	994	1157	1253	1349	1543
72"	375	413	458	522	571	615	752	886	1054	1223	1326	1430	1640
84"	412	456	502	581	635	693	836	986	1172	1363	1482	1603	1842
96"	449	495	553	637	699	760	929	1090	1289	1497	1632	1767	2035
108"	490	547	608	677	760	848	1001	1200	1403	1640	1783	1931	2226
120"	534	594	663	734	822	935	1092	1312	1517	1780	1937	2097	2417
OPTIONS: ADD SURCHARGE TO SHADE PRICE													
Continuous-Loop Lift System	\$76	77	78	85	87	90	97	108	115	120	129	140	153
Privacy Liner	66	75	89	99	106	121	141	175	197	216	244	271	323
Room Darkening Liner	88	100	117	131	141	161	187	234	264	291	323	360	431
Liner on Balance	14	16	21	22	25	28	33	40	44	48	56	62	74

All material styles available up to 96" wide.

Due to weight limitations, shades to the right of the bold line must be manufactured as multiple shades on one headrail. Shades in the shaded area above must be manufactured as three on one headrail.

	WIDTH UP TO →												
	22"	26"	30"	36"	42"	48"	60"	72"	84"	96"	108"	120"	144"
DECORATIVE OPTIONS SURCHARGES FOR STANDARD, OLD STYLE OR LOOPED ROMAN SHADES: ADD SURCHARGE TO SHADE PRICE													
Deco-trim Valance or Deco-trim Hem	\$76	78	83	85	87	90	94	98	105	109	115	118	126
Deco-Pocket Hem, No Accent Rod	147	153	157	161	167	171	178	188	202	210	220	225	242
Deco-Pocket Hem with Accent Rod	175	182	190	195	200	216	223	231	269	279	305	312	329
Wood Hem Bar	24	25	27	29	32	33	35	36	39	43	49	52	60

Due to weight limitations, shades with Deco-Pocket Hems in the shaded area must be manufactured as Multiple Shades on One Headrail.

Liners are an 80/20 poly/cotton blend and are available up to 96" wide.

Liners available on all specialties.

COLORS

ASCOT†	INAN	TERRESTRIAL*	TOUSHAN II
Cashmere 29001	Umber 04858	Alpaca 28001	Mocha 63759
Kersey 29002	SHANGHAI†	Angora 28002	Taupe 63659
	Oak 12864	Camel 28003	

* Not available with edge banding or Natural Drape.

† Not available with Natural Drape.

Price Charts: Natural Shades

PRICE GROUP E: AMOUR, ANSHUN, DALAN, LIREN, MAJIAN, TAIMA, TANGJIA, ZISHAN

Standard Roman/Old Style Roman

HEIGHT UP TO	WIDTH UP TO →												
	22"	26"	30"	36"	42"	48"	60"	72"	84"	96"	108"	120"	144"
34"	\$227	248	271	309	331	350	424	493	602	710	757	804	898
42"	245	273	297	339	365	389	472	548	667	782	837	894	1005
48"	263	289	320	365	390	421	508	597	717	840	904	967	1093
54"	278	307	339	389	421	453	547	642	773	898	972	1044	1190
60"	296	328	361	414	450	483	581	689	823	960	1038	1114	1270
66"	311	343	381	439	477	515	621	732	876	1023	1107	1191	1362
72"	331	365	403	460	505	547	663	780	930	1078	1171	1263	1446
84"	364	401	443	509	562	610	739	869	1034	1203	1308	1412	1621
96"	397	439	489	563	617	670	818	960	1140	1319	1439	1556	1792
108"	432	479	523	609	671	725	897	1050	1246	1443	1572	1701	1957
120"	466	518	576	667	725	782	973	1142	1352	1566	1706	1845	2123
OPTIONS: ADD SURCHARGE TO SHADE PRICE													
Continuous-Loop Lift System	\$76	77	78	85	87	90	97	108	115	120	129	140	153
Privacy Liner	56	67	82	92	100	113	135	169	191	210	236	265	316
Room Darkening Liner	77	89	107	122	132	150	177	225	253	280	315	350	420
Liner on Valance	14	16	21	22	25	28	33	40	44	48	56	62	74

All material styles available up to 96" wide, except Anshun is 72".

Due to material width sizes, shades to the right of the bold line must be manufactured as Multiple Shades on One Headrail.

Looped Roman

HEIGHT UP TO	WIDTH UP TO →												
	22"	26"	30"	36"	42"	48"	60"	72"	84"	96"	108"	120"	144"
34"	\$295	324	353	403	430	457	549	641	782	923	984	1045	1168
42"	320	354	386	441	475	505	613	713	868	1017	1090	1162	1306
48"	340	376	415	475	508	547	660	776	933	1093	1175	1259	1420
54"	364	400	441	505	547	588	711	835	1005	1168	1265	1359	1546
60"	383	425	469	540	587	628	757	895	1070	1247	1349	1449	1651
66"	405	446	496	570	621	671	808	952	1138	1328	1441	1547	1770
72"	430	475	523	598	657	711	862	1014	1208	1403	1521	1641	1881
84"	472	522	576	662	731	794	960	1131	1344	1564	1701	1835	2108
96"	515	570	634	732	803	869	1064	1247	1482	1716	1872	2023	2330
108"	561	623	679	792	872	941	1167	1366	1619	1876	2044	2209	2545
120"	606	674	749	868	941	1017	1266	1484	1759	2036	2218	2398	2760
OPTIONS: ADD SURCHARGE TO SHADE PRICE													
Continuous-Loop Lift System	\$76	77	78	85	87	90	97	108	115	120	129	140	153
Privacy Liner	66	75	89	99	106	121	141	175	197	216	244	271	323
Room Darkening Liner	88	100	117	131	141	161	187	234	264	291	323	360	431
Liner on Valance	14	16	21	22	25	28	33	40	44	48	56	62	74

All material styles available up to 96" wide, except Anshun is 72".

Due to weight limitations, shades to the right of the bold line must be manufactured as multiple shades on one headrail. Shades in the shaded area above must be manufactured as three on one headrail.

	WIDTH UP TO →												
	22"	26"	30"	36"	42"	48"	60"	72"	84"	96"	108"	120"	144"
DECORATIVE OPTIONS SURCHARGES FOR STANDARD, OLD STYLE OR LOOPED ROMAN SHADES: ADD SURCHARGE TO SHADE PRICE													
Deco-trim Valance or Deco-trim Hem	\$76	78	83	85	87	90	94	98	105	109	115	118	126
Deco-Pocket Hem, No Accent Rod	147	153	157	161	167	171	178	188	202	210	220	225	242
Deco-Pocket Hem with Accent Rod	175	182	190	195	200	216	223	231	269	279	305	312	329
Wood Hem Bar	24	25	27	29	32	33	35	36	39	43	49	52	60

Due to weight limitations, shades with Deco-Pocket Hems in the shaded area must be manufactured as Multiple Shades on One Headrail.

Liners are an 80/20 poly/cotton blend and are available up to 96" wide.

Liners available on all specialties.

COLORS

AMOUR	DALAN	MAJIAN	TANGJIA
Radiant 00001	Amaretto 42256	Driftwood 32445	Wheat 41710
Regal 00002	Saddle 42305	Natural 32864	ZISHAN*
Royal 00003	LIREN*Δ	Toffee 32296	Auburn 43689
ANSHUN*Δ	Butternut 40263	Truffle 32402	Stardust 43731
Umber 01156		TAIMA*	Toast 43734
		Chestnut 44010	

* Not available with edge banding or Natural Drape.

Δ Not available with Deco-trim Valance or Hem and Deco-Pocket Hem.

Price Charts: Natural Shades

PRICE GROUP F: BAISHA, BEIKAN, MEILIN, SHATIAN, WUXI

Standard Roman/Old Style Roman

HEIGHT UP TO	WIDTH UP TO →											108"	120"	144"
	22"	26"	30"	36"	42"	48"	60"	72"	84"	96"				
34"	\$247	276	300	343	366	388	470	545	664	783	837	893	1001	
42"	275	303	328	374	403	430	523	605	739	866	928	988	1111	
48"	289	321	352	403	430	465	562	659	796	930	1002	1072	1214	
54"	307	341	374	430	465	500	604	710	854	996	1076	1158	1320	
60"	328	360	401	456	500	535	642	762	911	1063	1148	1235	1407	
66"	345	382	423	486	528	569	689	810	971	1133	1225	1315	1500	
72"	363	404	445	511	557	604	734	866	1031	1193	1295	1397	1599	
84"	403	444	491	565	622	676	820	965	1144	1331	1447	1563	1795	
96"	441	486	542	624	683	741	905	1063	1263	1462	1594	1724	1982	
108"	482	528	585	669	740	807	982	1167	1382	1597	1742	1883	2168	
120"	525	569	627	713	800	871	1063	1272	1499	1734	1892	2044	2356	
OPTIONS: ADD SURCHARGE TO SHADE PRICE														
Continuous-Loop Lift System	\$76	77	78	85	87	90	97	108	115	120	129	140	153	
Privacy Liner	56	67	82	92	100	113	135	169	191	210	236	265	316	
Room Darkening Liner	77	89	107	122	132	150	177	225	253	280	315	350	420	
Liner on Balance	14	16	21	22	25	28	33	40	44	48	56	62	74	

All material styles available up to 96" wide, except Shatian and Wuxi are 72".

Due to material width sizes, shades to the right of the bold line must be manufactured as Multiple Shades on One Headrail.

Looped Roman

HEIGHT UP TO	WIDTH UP TO →											108"	120"	144"
	22"	26"	30"	36"	42"	48"	60"	72"	84"	96"				
34"	\$323	359	390	445	475	502	610	709	864	1016	1089	1159	1300	
42"	358	393	426	486	523	560	679	789	962	1125	1207	1287	1444	
48"	377	418	457	523	560	604	732	859	1035	1210	1301	1394	1577	
54"	401	442	486	560	604	650	787	926	1110	1294	1399	1504	1713	
60"	426	470	521	594	650	697	834	988	1184	1382	1495	1604	1829	
66"	448	498	550	631	687	741	896	1055	1261	1473	1593	1711	1950	
72"	474	524	580	664	725	787	954	1125	1339	1551	1685	1815	2078	
84"	523	576	637	736	807	879	1065	1253	1488	1732	1881	2033	2332	
96"	574	631	704	810	889	966	1177	1382	1640	1902	2072	2242	2578	
108"	628	687	760	868	964	1049	1278	1517	1796	2077	2266	2449	2818	
120"	683	741	814	927	1040	1133	1382	1654	1948	2254	2460	2658	3062	
OPTIONS: ADD SURCHARGE TO SHADE PRICE														
Continuous-Loop Lift System	\$76	77	78	85	87	90	97	108	115	120	129	140	153	
Privacy Liner	66	75	89	99	106	121	141	175	197	216	244	271	323	
Room Darkening Liner	88	100	117	131	141	161	187	234	264	291	323	360	431	
Liner on Balance	14	16	21	22	25	28	33	40	44	48	56	62	74	

All material styles available up to 96" wide, except Shatian and Wuxi are 72".

Due to weight limitations, shades to the right of the bold line must be manufactured as multiple shades on one headrail. Shades in the shaded area above must be manufactured as three on one headrail.

	WIDTH UP TO →											108"	120"	144"
	22"	26"	30"	36"	42"	48"	60"	72"	84"	96"				
DECORATIVE OPTIONS SURCHARGES FOR STANDARD, OLD STYLE OR LOOPE ROMAN SHADES: ADD SURCHARGE TO SHADE PRICE														
Deco-trim Valance or Deco-trim Hem	\$76	78	83	85	87	90	94	98	105	109	115	118	126	
Deco-Pocket Hem, No Accent Rod	147	153	157	161	167	171	178	188	202	210	220	225	242	
Deco-Pocket Hem with Accent Rod	175	182	190	195	200	216	223	231	269	279	305	312	329	
Wood Hem Bar	24	25	27	29	32	33	35	36	39	43	49	52	60	

Due to weight limitations, shades with Deco-Pocket Hems in the shaded area must be manufactured as Multiple Shades on One Headrail.

Liners are an 80/20 poly/cotton blend and are available up to 96" wide.

Liners available on all specialties.

COLORS

BAISHA†	MEILIN*	SHATIAN*Δ	WUXI*Δ
Sienna 27685	Camel 51086	Raisin 52337	Zebra 54111
BEIKAN*	Chroma 51201	Umber 52878	
Amber 53086	Henna 51222		
Organic 53084	Onyx 51227		

† Not available with Natural Drape.
 * Not available with edge banding or Natural Drape.
 Δ Not available with Deco-trim Valance or Hem and Deco-Pocket Hem.

Pricing: Options

OPTION PRICING

NATURAL SHADE OPTIONS	SURCHARGE
Angled Top	\$220
Bay or Corner Window	No charge
Bottom Up/Top Down	\$75
Ceiling Brackets	No charge
Continuous-loop Lift System	See Price Charts
Cord-cleats	No charge
Cut-outs	\$64
Fabric edge binding	Standard: \$122; Looped: \$153; Valance Only: \$49
Hem Options: Standard Hem	No charge
Hem Options: Deco-finish	See Price Charts
Hem Options: Deco-pocket	See Price Charts
Hem Options: Wood hem bar	See Price Charts
Hold-down brackets (extend from side of hem)	No charge
Liners: Privacy and Room Darkening (near blackout)	See Price Charts
Motorized Standard Roman Shade	See Motorization Tab
Multiple Shades on One Headrail	Two on One Headrail (to left of bold line on price chart): \$77; Three on One Headrail (to left of bold line on price chart):: \$113
Projection Brackets (Long-3½", Short-1¾")	No charge
Valances: 6"	No charge
Valances: 9"	\$13 ; No charge for Continuous-loop or Motorized Shades
Valances: Deco-finish	See Price Charts
Wood Cornices and Valances	See Cornices and Valances Tab
NATURAL DRAPE OPTIONS	SURCHARGE
Ceiling Brackets	No charge
Drape Fullness – Standard or 60%	See Price Charts
Edge Banding for top, bottom and valance Edge Banding for Drape side optional	No charge
No Valance: Optional	No charge
Privacy or Room-darkening Liner for Drape (option at time of order)	See Price Charts
Self Valance included with liner	No charge
Wood Cornices and Valances	See Cornices and Valances Tab

NATURAL SHADES: VALANCE ONLY

WIDTH UP TO →	22"	26"	30"	36"	42"	48"	60"	72"	84"	96"	108"	120"	144"
6" Standard Valance	\$102	106	109	115	118	122	126	132	141	148	154	160	171
9" Standard Valance	119	123	127	130	134	139	144	151	164	169	176	183	196
Deco-Finish Valance	141	148	153	157	162	174	181	189	204	221	230	237	255
Liner on Valance (Privacy or Room Darkening)	14	16	21	22	25	28	33	40	44	48	56	62	74

Price Charts: Natural Drapes

PRICE GROUP G: ANYI

Standard Drapery Fullness

HEIGHT UP TO	WIDTH UP TO →													
	48"	60"	72"	78"	84"	96"	108"	120"	132"	144"	156"	168"	180"	192"
36"	\$445	523	583	636	734	747	815	1015	1082	1130	1188	1254	1339	1351
48"	489	581	655	714	826	840	927	1133	1218	1278	1337	1414	1520	1532
60"	547	639	727	794	921	935	1037	1257	1351	1424	1481	1574	1702	1715
72"	576	701	794	875	1010	1026	1148	1376	1490	1567	1628	1736	1882	1894
84"	621	757	868	966	1105	1114	1257	1486	1625	1712	1779	1894	2063	2077
96"	661	815	940	1037	1193	1208	1331	1620	1761	1860	1927	2057	2247	2255
OPTION SURCHARGES: ADD SURCHARGE TO SHADE PRICE														
Privacy Liner	156	160	169	169	169	173	178	182	184	186	191	195	202	206
Room-darkening Liner	202	206	219	219	219	223	228	232	238	247	249	256	260	267

60% Drapery Fullness

HEIGHT UP TO	WIDTH UP TO →													
	48"	60"	72"	78"	84"	96"	108"	120"	132"	144"	156"	168"	180"	192"
36"	\$679	799	890	970	1121	1140	1244	1549	1652	1724	1813	1914	2043	2062
48"	747	887	999	1090	1260	1282	1415	1730	1859	1950	2040	2158	2320	2339
60"	835	976	1109	1212	1405	1427	1583	1918	2062	2174	2261	2403	2598	2617
72"	879	1070	1212	1335	1541	1566	1752	2100	2274	2391	2485	2649	2872	2891
84"	948	1156	1325	1475	1686	1701	1918	2268	2481	2613	2716	2891	3149	3170
96"	1009	1244	1434	1583	1821	1844	2031	2472	2688	2839	2941	3139	3429	3442
OPTION SURCHARGES: ADD SURCHARGE TO SHADE PRICE														
Privacy Liner	249	256	269	269	269	277	286	293	297	299	306	314	321	327
Room-darkening Liner	321	327	351	351	351	358	364	371	386	394	399	407	418	427

NOTE: Price includes Self Valance, vertically oriented, with coordinating Privacy or Room Darkening liner on valance only. Must provide liner color and number.

COLORS

ANYI

Bleached	21298
Fudge	21001
Olive	21002
Rye	21003
Taupe	21011

NOTE:

- 2" or 1" Edge Banding required for top and bottom of drape; must select
- Drape side Edge Banding optional, will match drape edge banding
- Valance will use 1" matching edge band color
- Valance liner required

Price Charts: Natural Drapes

PRICE GROUP H: ESCAPE, HEIBEI

Standard Drapery Fullness

HEIGHT UP TO	WIDTH UP TO →													
	48"	60"	72"	78"	84"	96"	108"	120"	132"	144"	156"	168"	180"	192"
36"	\$502	590	658	691	796	811	863	1073	1145	1195	1256	1325	1416	1428
48"	550	656	738	776	896	912	981	1200	1288	1352	1414	1495	1606	1622
60"	618	721	819	863	999	1014	1097	1329	1428	1506	1568	1664	1800	1814
72"	649	788	896	951	1097	1113	1175	1411	1577	1659	1723	1835	1988	2004
84"	699	853	979	1027	1199	1209	1287	1493	1719	1811	1882	2004	2181	2198
96"	747	918	1059	1128	1297	1312	1416	1659	1863	1966	2039	2175	2375	2386
OPTION SURCHARGES: ADD SURCHARGE TO SHADE PRICE														
Privacy Liner	156	160	169	169	169	173	178	182	184	186	191	195	202	206
Room-darkening Liner	202	206	219	219	219	223	228	232	238	247	249	256	260	267

60% Drapery Fullness

HEIGHT UP TO	WIDTH UP TO →													
	48"	60"	72"	78"	84"	96"	108"	120"	132"	144"	156"	168"	180"	192"
36"	\$766	900	1005	1054	1215	1238	1317	1637	1747	1824	1917	2023	2162	2179
48"	840	1001	1127	1185	1367	1392	1498	1831	1966	2063	2158	2282	2452	2475
60"	943	1101	1250	1317	1525	1547	1675	2029	2179	2298	2393	2540	2748	2768
72"	990	1202	1367	1451	1675	1699	1794	2153	2407	2532	2630	2801	3035	3058
84"	1067	1302	1494	1567	1830	1846	1965	2279	2623	2764	2872	3058	3329	3355
96"	1140	1401	1617	1721	1979	2002	2161	2532	2843	3000	3112	3319	3625	3642
OPTION SURCHARGES: ADD SURCHARGE TO SHADE PRICE														
Privacy Liner	249	256	269	269	269	277	286	293	297	299	306	314	321	327
Room-darkening Liner	321	327	351	351	351	358	364	371	386	394	399	407	418	427

NOTE: Price includes Self Valance, vertically oriented, with coordinating Privacy or Room Darkening liner on valance only. Must provide liner color and number.

COLORS

ESCAPE

Forest 25601
Island 25602

HEIBEI

Amber 30400

NOTE:

- 2" or 1" Edge Banding required for top and bottom of drape; must select
- Drape side Edge Banding optional, will match drape edge banding
- Valance will use 1" matching edge band color
- Valance liner required

Price Charts: Natural Drapes

PRICE GROUP I: CHENCUN, LIPO, LUTAN, NINGTU, YUNNAN

Standard Drapery Fullness

HEIGHT UP TO	WIDTH UP TO →													
	48"	60"	72"	78"	84"	96"	108"	120"	132"	144"	156"	168"	180"	192"
36"	\$521	613	682	715	827	843	920	1144	1219	1273	1340	1412	1509	1524
48"	572	680	767	806	930	947	1046	1280	1374	1439	1507	1594	1714	1729
60"	640	750	850	896	1036	1053	1170	1416	1524	1605	1669	1773	1919	1933
72"	674	818	930	987	1140	1156	1293	1552	1681	1766	1836	1956	2039	2137
84"	727	887	1017	1089	1245	1257	1416	1689	1794	1930	2005	2137	2327	2341
96"	774	954	1098	1170	1346	1363	1543	1825	1986	2097	2172	2320	2532	2544
OPTION SURCHARGES: ADD SURCHARGE TO SHADE PRICE														
Privacy Liner	156	160	169	169	169	173	178	182	184	186	191	195	202	206
Room-darkening Liner	202	206	219	219	219	223	228	232	238	247	249	256	260	267

60% Drapery Fullness

HEIGHT UP TO	WIDTH UP TO →													
	48"	60"	72"	78"	84"	96"	108"	120"	132"	144"	156"	168"	180"	192"
36"	\$795	935	1041	1092	1262	1286	1404	1746	1860	1943	2045	2155	2303	2326
48"	873	1038	1170	1230	1420	1446	1596	1953	2097	2197	2300	2433	2616	2639
60"	977	1144	1298	1367	1582	1607	1786	2162	2326	2449	2548	2706	2929	2951
72"	1028	1248	1420	1507	1740	1765	1973	2369	2565	2696	2803	2986	3112	3261
84"	1109	1354	1553	1662	1901	1918	2162	2578	2738	2946	3061	3261	3551	3573
96"	1182	1456	1676	1786	2055	2081	2355	2785	3032	3200	3315	3541	3864	3883
OPTION SURCHARGES: ADD SURCHARGE TO SHADE PRICE														
Privacy Liner	249	256	269	269	269	277	286	293	297	299	306	314	321	327
Room-darkening Liner	321	327	351	351	351	358	364	371	386	394	399	407	418	427

NOTE: Price includes Self Valance, vertically oriented, with coordinating Privacy or Room Darkening liner on valance only. Must provide liner color and number.

COLORS

<p>CHENCUN</p> <p>Merlot 60845 White 60417</p>	<p>LIPO</p> <p>Agate 06701 Ambrosia 06702 Earhtones 06793 Java 06703</p>	<p>LUTAN</p> <p>Pecan 62403</p> <p>NINGTU</p> <p>Tortoise 09859</p>	<p>YUNNAN</p> <p>Chocolate 19584</p>
---	---	---	---

- NOTE:
- 2" or 1" Edge Banding required for top and bottom of drape; must select
 - Drape side Edge Banding optional, will match drape edge banding
 - Valance will use 1" matching edge band color
 - Valance liner required

Price Charts: Natural Drapes

PRICE GROUP J: INAN, TOUSHAN II

Standard Drapery Fullness

HEIGHT UP TO	WIDTH UP TO →													
	48"	60"	72"	78"	84"	96"	108"	120"	132"	144"	156"	168"	180"	192"
36"	\$523	616	686	748	864	879	959	1194	1273	1329	1397	1475	1575	1589
48"	576	684	770	841	971	988	1091	1334	1433	1503	1572	1663	1788	1803
60"	644	752	855	935	1083	1100	1221	1479	1589	1675	1742	1852	2003	2018
72"	677	825	935	1030	1188	1207	1350	1619	1753	1843	1916	2042	2214	2229
84"	731	891	1021	1136	1300	1311	1479	1757	1912	2014	2094	2229	2427	2443
96"	778	959	1105	1221	1404	1422	1669	1906	2072	2188	2267	2420	2643	2653
OPTION SURCHARGES: ADD SURCHARGE TO SHADE PRICE														
Privacy Liner	156	160	169	169	169	173	178	182	184	186	191	195	202	206
Room-darkening Liner	202	206	219	219	219	223	228	232	238	247	249	256	260	267

60% Drapery Fullness

HEIGHT UP TO	WIDTH UP TO →													
	48"	60"	72"	78"	84"	96"	108"	120"	132"	144"	156"	168"	180"	192"
36"	\$798	940	1047	1141	1318	1341	1463	1823	1943	2029	2132	2252	2404	2426
48"	879	1044	1176	1283	1482	1508	1665	2036	2187	2294	2400	2539	2729	2752
60"	983	1148	1305	1427	1653	1679	1863	2258	2426	2556	2659	2826	3057	3080
72"	1034	1259	1427	1572	1813	1842	2060	2471	2675	2813	2925	3116	3379	3402
84"	1115	1360	1559	1734	1984	2001	2258	2681	2919	3074	3196	3402	3705	3729
96"	1188	1463	1686	1863	2143	2171	2548	2909	3162	3339	3460	3693	4034	4050
OPTION SURCHARGES: ADD SURCHARGE TO SHADE PRICE														
Privacy Liner	249	256	269	269	269	277	286	293	297	299	306	314	321	327
Room-darkening Liner	321	327	351	351	351	358	364	371	386	394	399	407	418	427

NOTE: Price includes Self Valance, vertically oriented, with coordinating Privacy or Room Darkening liner on valance only. Must provide liner color and number.

COLORS

INAN	TOUSHAN II
Umber 04858	Mocha 63759
	Taupe 63659

- NOTE:
- 2" or 1" Edge Banding required for top and bottom of drape; must select
 - Drape side Edge Banding optional, will match drape edge banding
 - Valance will use 1" matching edge band color
 - Valance liner required

Price Charts: Natural Drapes

PRICE GROUP K: AMOUR, DALAN, MAJIAN, TANGJIA

Standard Drapery Fullness

HEIGHT UP TO	WIDTH UP TO →													
	48"	60"	72"	78"	84"	96"	108"	120"	132"	144"	156"	168"	180"	192"
36"	\$614	723	807	894	1031	1051	1145	1427	1521	1587	1668	1760	1880	1899
48"	675	804	904	1004	1160	1181	1302	1594	1712	1794	1877	1986	2134	2155
60"	694	884	1003	1117	1292	1312	1457	1767	1899	2000	2082	2212	2392	2409
72"	794	969	1098	1228	1419	1440	1612	1934	2093	2200	2289	2437	2644	2662
84"	856	1046	1199	1360	1551	1568	1767	2092	2285	2405	2499	2662	2898	2917
96"	914	1125	1296	1457	1679	1697	2013	2275	2474	2613	2708	2888	3155	3169
OPTION SURCHARGES: ADD SURCHARGE TO SHADE PRICE														
Privacy Liner	156	160	169	169	169	173	178	182	184	186	191	195	202	206
Room-darkening Liner	202	206	219	219	219	223	228	232	238	247	249	256	260	267

60% Drapery Fullness

HEIGHT UP TO	WIDTH UP TO →													
	48"	60"	72"	78"	84"	96"	108"	120"	132"	144"	156"	168"	180"	192"
36"	\$937	1103	1231	1364	1573	1604	1747	2178	2321	2423	2546	2687	2870	2899
48"	1031	1227	1380	1533	1770	1802	1988	2433	2613	2738	2865	3032	3257	3289
60"	1059	1350	1531	1705	1972	2002	2224	2697	2899	3052	3178	3376	3651	3677
72"	1212	1479	1676	1875	2166	2198	2461	2952	3194	3358	3493	3719	4035	4063
84"	1306	1596	1830	2076	2368	2393	2697	3193	3487	3671	3815	4063	4423	4452
96"	1395	1717	1978	2224	2562	2590	3073	3473	3776	3988	4134	4408	4815	4837
OPTION SURCHARGES: ADD SURCHARGE TO SHADE PRICE														
Privacy Liner	249	256	269	269	269	277	286	293	297	299	306	314	321	327
Room-darkening Liner	321	327	351	351	351	358	364	371	386	394	399	407	418	427

NOTE: Price includes Self Valance, vertically oriented, with coordinating Privacy or Room Darkening liner on valance only. Must provide liner color and number.

COLORS

AMOUR	DALAN	MAJIAN	TANGJIA
Radiant 00001	Amaretto 42256	Driftwood 32445	Wheat 41710
Regal 00002	Saddle 42305	Natural 32864	
Royal 00003		Toffee 32296	
		Truffle 32402	

NOTE:

- 2" or 1" Edge Banding required for top and bottom of drape; must select
- Drape side Edge Banding optional, will match drape edge banding
- Valance will use 1" matching edge band color
- Valance liner required



Graber is a brand of Springs Window Fashions, the Best Experience Company

